

Prolux TerraVac

Owners Manual



TerraVac- Get your life back!

For your safety please read owners manual in its entirety before use.

Congratulations on the purchase of your new Prolux TerraVac Vacuum! The TerraVac was made with one purpose in mind. “TerraVac – Get your life back” was designed so you can quickly get your cleaning done and spend your time doing what you enjoy. It’s lightweight and easy to use, has tons of power for quick cleaning, and has variable speeds for cleaning different surfaces. With the TerraVac you can quickly get your cleaning done, and done right. It has a hygienic H12 HEPA exhaust filter, which removes microscopic particles and allergens from the air keeping your air clean and dust free. You will be surprised just how powerful this vacuum is, while still maintaining it’s compact design. With its 3-year limited warranty, simple to use design, and easily attachable cleaning accessories, it is designed to be one of your most used appliances.



List of contents

Specifications	3
Safety Precautions	4
Unpacking and Assembling	5
Unpacking & Assembly	5
Using Accessories and Tools	6
Operation	8
Vacuum Cleaning.....	8
Setting the Suction Power	9
Switching off and Retracting Power Cord	9
Transport and Storage	10
Maintenance	
Changing the Dust Filter Bag.....	10
Changing Filters	11
Changing the H12 HEPA Exhaust Filter.....	12
Changing the Motor Protection Filter	12
Cleaning the Housing	13
Troubleshooting	13
Warranty	15-16

Specifications

- Lightweight – Canister only weights 6 lbs
- Powerful deep cleaning 12 amp motor with an amazing 107 Cubic Feet per Minute of Airflow (most vacuums have 80)
- Dependable - Motor Bypass valve adds years of life to the Motor allowing it to come with a 3 year motor warranty and 2 Year Machine Warranty.
- 5 different cleaning modes – Comes with 5 LED indicator buttons for each cleaning mode. Cleaning Modes are: Delicate Dusting, Upholstery Cleaning, Hardfloor Cleaning, Light Carpet Cleaning, and Full Power Mode for cleaning plush carpet.
- Sealed Motor and Sounds Suppression filters only produces sound as low as 62 dB.

Safety Precautions

Operating Manual

Read this operating manual carefully before using the appliance.

Keep the operating manual for reference. Include the operating manual if you pass the appliance to third parties. **Violations of the operating instructions can lead to severe injuries as well as damages to the appliance.** Prolux takes no responsibility for damages due to violations of these operating instructions.

The Notices Given

Notices for your safety are especially marked. Always observe these notices to avoid any damages to the appliance.

WARNING: Warning concerning health hazards describing possible risks of injury.

ATTENTION: Warning concerning possible dangers to the appliance or other objects.

NOTE: Highlights tips for you.

Children

Never leave the appliance unattended and use it with special precaution if children or persons who cannot judge dangers are nearby.

People (including children) who are unable to safely operate the appliance on account of their physical, sensory or mental abilities or their lack of experience or knowledge should only use this appliance under supervision or instruction of a responsible person.

Packing-materials are not toys. There is danger of suffocation.

Appropriate Use

Use the vacuum cleaner only for cleaning normally soiled floors, rugs and curtains.

The appliance is intended for home use only. Any other use is considered inappropriate and is not suggested.

Do not vacuum or clean:

- Hair and other parts of the body. They could be sucked in and cause injury.
- Pieces of Clothing (e, g, shoe laces, scarves, etc.). They could be sucked in and cause injury.
- Water and other liquids, especially moisture from carpet cleaning agents. Moisture inside the appliance can lead to short-circuiting.
- Toner dust (from laser printers, copying-machines, etc.). There is danger of fire or explosion.
- Hot ash, burning cigarettes or matches. This could cause a fire.
- Pointed objects such as glass shards, nails, etc. Such objects destroy the filters.
- Plaster, cement, fine drilling-dust, makeup, etc. The filters may clog causing damage to the appliance.

Never use the appliance near flammable or explosive materials -- there is danger of fire or explosion.

Never use the appliance outdoors -- there is danger of rain and dirt destroying the appliance.

Never stick objects into the appliance's openings -- it could cause the appliance to overheat.

Cord Connection

The vacuum runs on electricity, that means there is always danger of electric shock, so please observe the following;

- Never touch the plug with wet hands.
- Always pull directly with the plug. If you want to disconnect the appliance from the outlet. Never pull on the cord, as it might break.
- Take care that the power cord is not bent, pinched, rolled over or gets in contact with heat sources.
- Use only extension cords suited to the power requirements of the appliance.
- Never immerse the appliance in water or other liquids.
- Only operate the appliance if your outlet voltage is the same as that indicated on the appliance's nameplate. Using the wrong voltage can destroy the appliance.
- If the power cord of this appliance is damaged it must be replaced by the manufacturers, their authorized service representative or a similarly qualified person to avoid danger to the user.

Never use a defective appliance or operate an appliance with a defective power cord. There is a major risk of injury.

Unpacking and Assembling

Unpacking

1. Unpack the appliance and all its accessories.
2. Check that all the contents are included.

ATTENTION: Always transport or ship the appliance in its original packaging to avoid damage.

Recycle any no longer needed packaging material according as needed.

Assembly

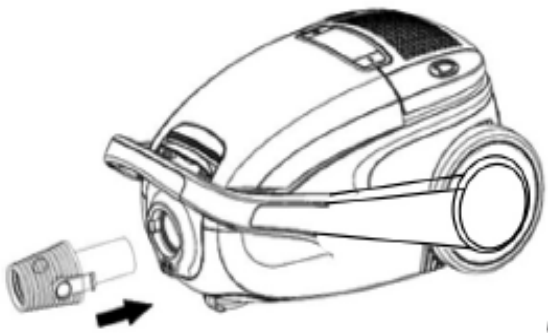


Fig.2

WARNING: Only assemble the vacuum if it is not connected to the electrical wall outlet.

1. Insert the end of the suction hose (fig.2) into the intake opening of the vacuum cleaner until it locks with an audible click.

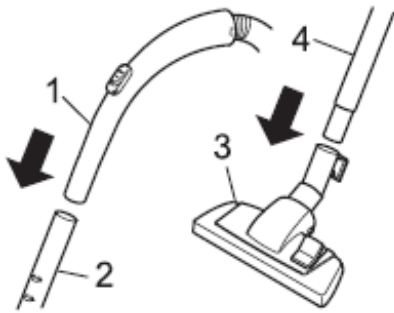


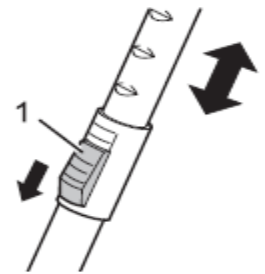
Fig.3

2. Insert the handle (Fig. 3/1) into the upper end of the telescopic tube (Fig 3/2).

3. Attach the floor nozzle (Fig. 3/3) to the bottom end of the telescopic tube (Fig 3/4).

NOTE: Shove all the way together and firmly twist to the right to connect pieces.

4. Adjust the length of the telescopic tube. Press down the release latch on the tube to do this (Fig. 4/1). Then pull the handle of the telescopic tube to extend it to your desired length (Fig. 3/1). Let go of the release catch while pulling until it locks in place. You will hear a distinct click.



Fig

Your vacuum cleaner is now ready for use.

Using Accessories & Tools



Fig.5

Besides the floor nozzle you just attached, the Prolux TerraVac is also equipped with on board Tools as shown in Figure 5.

The combi brush (used for upholstery & dusting) and the crevice nozzle are stored on board under the lid. You can store them in the accessory compartment when not in use (fig.5).

WARNING: Only attach nozzles when the vacuum cleaner is not connected to the electrical outlet. The appliance could be switched on by accident.

- **Combi brush (Fig. 6/1)** Use this to remove dust from objects with delicate surfaces and upholstery.

-**Crevice nozzle (Fig. 6/2)** Use this to suck dust out of hard to reach places.

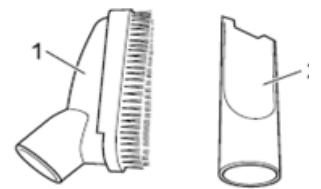


Fig. 6

This is how you attach the nozzles:

1. Switch off the vacuum cleaner and pull the plug from the outlet.
2. Remove the attached nozzle off of the telescopic tube.
3. Attach the required nozzle to the bottom end of telescopic tube (Fig. 7) or if necessary directly to the handle.

ATTENTION: Using the vacuum cleaner without a nozzle attached increases the danger of accidentally sucking in objects.

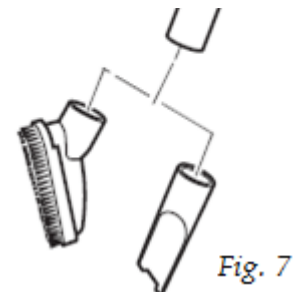
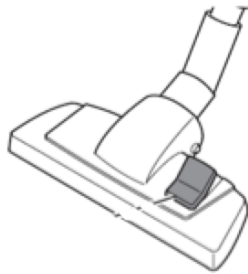


Fig. 7

If possible, store nozzles no longer in use in the accessory bracket.

The USA version of this vacuum has 2 different attachments (as shown below). The straight suction combi floor nozzle that can be used on both hard floor surfaces and carpet (Fig. 8) AND the electric power nozzle with spinning brushroll for carpet. (Fig. 9)

Fig. 8



Electric Power Nozzle used on Deluxe Prolux TerraVac models

Fig. 9



Electric Power Nozzle used on Standard Prolux TerraVac Models



Operation

WARNING: Check the vacuum cleaner and the power cord each time before using it. A damaged appliance must not be used. There is danger of injury.

ATTENTION: Only use the vacuum cleaner with all filters intact, in dry condition and correctly placed. Make sure that the openings of the vacuum cleaner are not clogged or obstructed. Otherwise the vacuum cleaner might be damaged.

NOTE: Your vacuum cleaner is equipped with a safety switch to prevent overheating. It automatically cuts off the power supply if the motor is overheated. In this case, switch off the vacuum cleaner and disconnect it from the outlet. Remove the cause of the overheating. Wait for about 45 minutes. After it has cooled off, you may use the vacuum cleaner again.

Your vacuum is also equipped with a motor bypass valve. The purpose of this feature is if your vacuum bag is too full, filters are too dirty, or if there is a clog in the vacuum the valve opens up. When the valve opens up it allows air to enter in the motor chamber, reducing suction to the hose but making certain the motor does not over heat and burn up. The Prolux TerraVac is a high end vacuum designed to last many years. This feature protects the motor and allows it to be used for many years to come. When the motor bypass valve opens up you will notice less suction and a different sound. **When this happens turn the vacuum OFF and unplug cord from electrical outlet. Then solve the problem by changing the bag, filters or removing any clogs.**

Vacuum Cleaning

1. Attach the desired nozzle. See section “Assembly” or Using Further Accessories.”
2. Pull the power cord until the yellow marking is visible (Fig. 10/1)

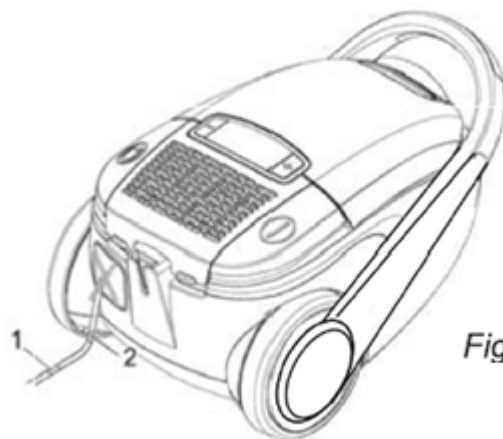


Fig. 10

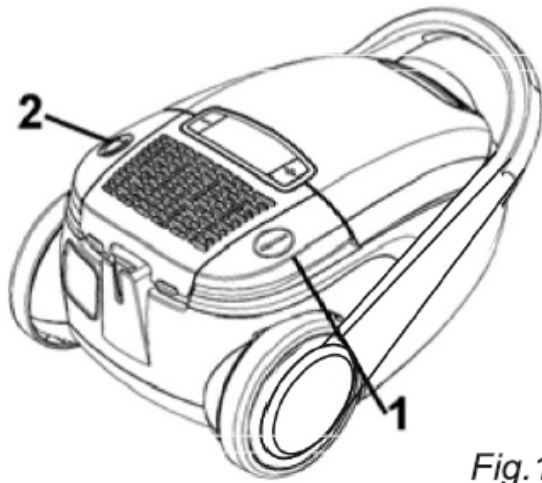


Fig.11

WARNING: If the red marking shows on the cord, retract the cord by pushing the retract button to pull in the cable (Fig. 11/2) up to the yellow mark again. If the cord is pulled past the red mark the cord might break. Also there is danger of an electric shock. 3. Switch on the vacuum cleaner with on/off switch. (Fig. 11/1).

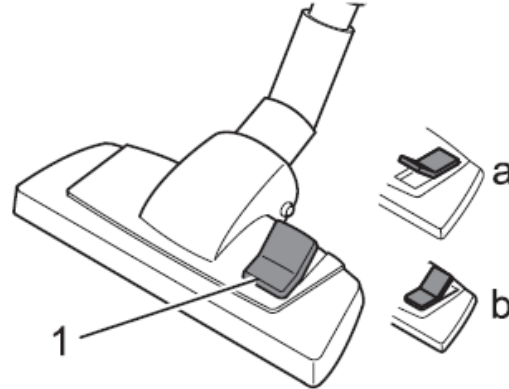


Fig.12

4. Set the nozzle switch to “carpet” or “hard floor” according to the floor (fig. 12/1 above) to be cleaned:

- Hard floor (Fig. 12/A) Laminate, tiles, Hardwood, etc,
- Carpet (Fig. 12/B) Short- and deep-pile carpets, rugs, etc.

5. When working with the vacuum cleaner, pull it after you like a sled. Follow the respective recommendations of the flooring manufacturers.

NOTE: When using it with the electrical power nozzle for carpet the power nozzle may be turned on the handle pump (on/off switch) AND also by pressing the button on the power nozzle itself. If the power nozzle will not turn on when the canister is turned on check both of those switches AND make sure the hose, wands, and power nozzle are firmly connected.

Setting the Suction Power

You can adjust the suction power of the unit to suit the type of surface being cleaned. Use the symbols on the suction power display as a guideline (Fig. 14/1):

- Delicate dusting for Curtains, Fabric (lowest setting)
- Upholstery, cushions
- Hardfloor Surfaces like Tile, Hardwood etc.
- Low Pile Carpet and Rugs
- Thick Pile Carpet and Rugs.

You may select a higher setting based on what you are cleaning. For example if you are cleaning upholstery that is very dirty you may use it on the highest settings if you feel it needs the extra suction power.

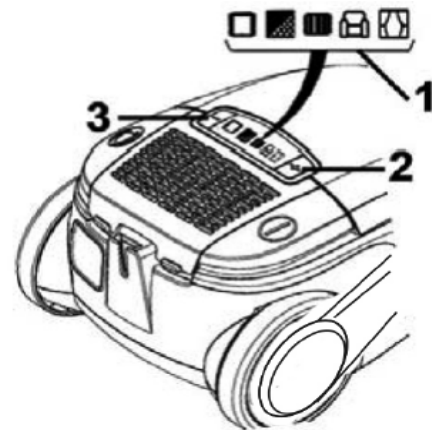


Fig.14

1. To set the desired power setting, press the + button or the - button several times until the desired setting lights up on the suction power display.

- + button (Fig. 14/2) increases suction power

button (Fig. 14/3) reduces suction power

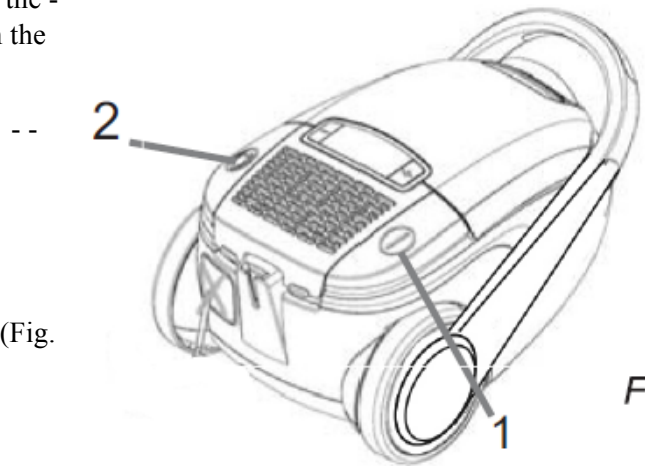


Fig.15

Switching Off and Retracting Power Cord

1. Switch off the vacuum cleaner with the on/off switch (Fig. 15/1) and pull the plug from the outlet.

2. Keep the plug in your hand.

WARNING: During retraction the cord can whip around, become an obstacle or overthrow objects.

3. To retract power cord, push the cord retracting button (Fig. 15/2).

Transport and Storage

To transport the vacuum cleaner you can carry it by the handle.

To store it or when interrupting your work, you can hook the park/storage hook (Fig. 16/1) into the parking (Fig. 16/2) bracket.

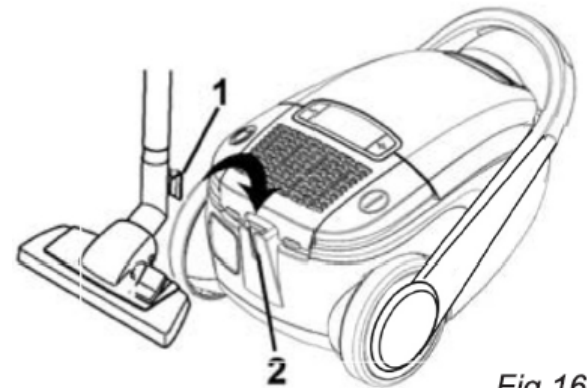


Fig.16

NOTE: The USA versions of this vacuum will also come with the electric power nozzle for carpet. The straight suction floor nozzle will attach to the vacuum as shown in the following pictures however the electric power nozzle will not. The electric power nozzle is designed to lock in upright position for storage.

WARNING: When leaving your working-area, switch off the appliance and mind the notices at section “Switching Off and Retracting Power Cord.”

To store the vacuum cleaner you can hook the floor nozzle with the park/storage hook (Fig. 17/1) into the storage (Fig. 17/2) bracket on the bottom of the appliance.

ATTENTION: Never store the appliance next to heat sources (e.g. stoves or radiators). Avoid exposing it to direct sunlight. The heat might damage the appliance.

If you want to Store the appliance for a prolonged period, remove the dust filter bag and dispose of it properly. Also clean the filters.

Always store the appliance in a cool, dry place.

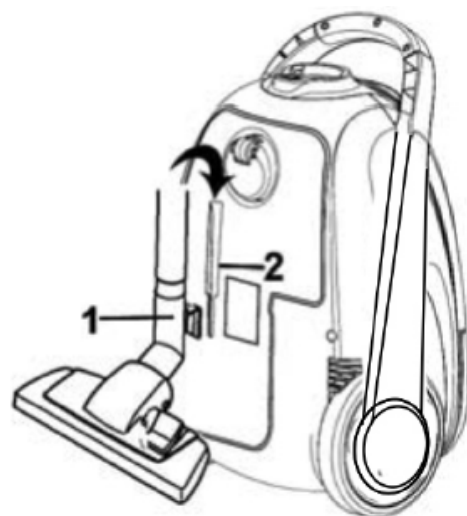


Fig.17

Maintenance

Changing the Dust Filter Bag

Change the dust filter bag at the latest when the electronic dust filter bag change indicator shows "red" or the suction power has decreased.

ATTENTION: When leaving your working-area, switch off the appliance and mind the notices, ‘Switching off and retracting power cord.’ In this way you avoid dust destroying the appliance.

To change the bag

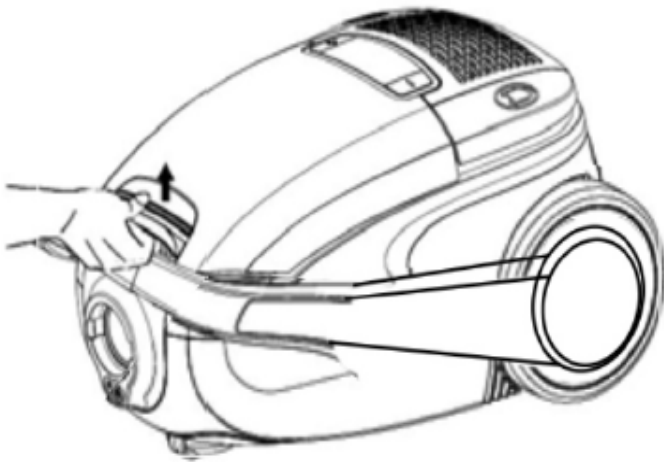


Fig.18

NOTE: You can dispose of the dust filter bag with your regular domestic trash if it contains no prohibited waste materials.

5. Push the new dust filter bag in the filter bag holder. (Fig. 19)

6. Close the dust compartment cover. It clicks into place audibly.

NOTE: The dust compartment cover can only be closed with a dust filter bag in place.

1. Open the dust compartment cover by unlatching and subsequently raising it (Fig. 18).

2. Raise the dust compartment cover until it locks in the highest position and remains open by itself.

NOTE: Be careful when removing the dust filter bag so that no dust escapes.

3. Pull the dust filter bag up and out of the dust filter. (Fig.19).

4. Remove any dust that may have collected in the dust compartment.

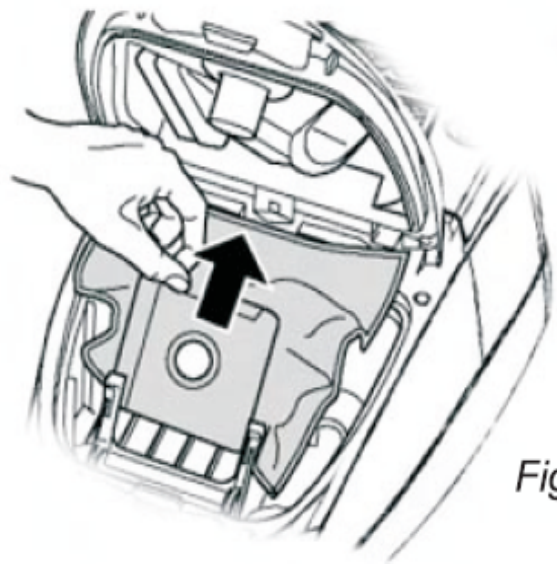


Fig.19

Changing Filters

Your vacuum cleaner is equipped with the following filters:

-Motor protection filter (Fig. 20/1) Prevents larger particles from destroying the motor in case the dust filter bag is defective. Change as needed or if vacuum overheats or bypass valve opens.

-H12 HEPA exhaust filter (Fig. 20/2) removes microscopic particles from the exhaust air. Clean at least every 6 months. Replace once a year.

The filters can become clogged over time and reduce the appliance's performance. That's why it is important to adhere to the above cleaning intervals.

Damaged filters must be removed immediately.

ATTENTION: These filters are not washable. The exhaust filter may not be re-used. Never run the vacuum without a bag installed.

NOTE: If the motor protection filter is only slightly dirty, it can help to beat out the dust over a dustbin. However, we recommend changing the motor protection filter each time you open a new box of dust bags.

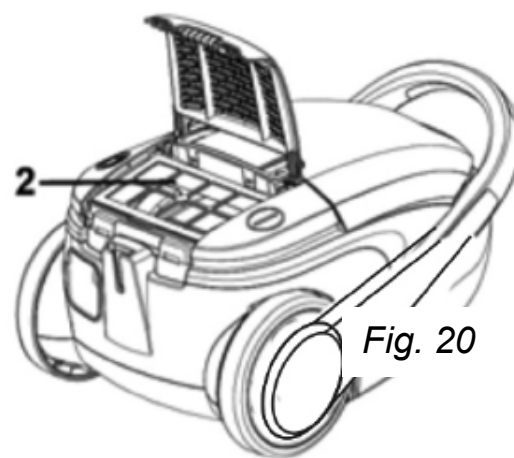
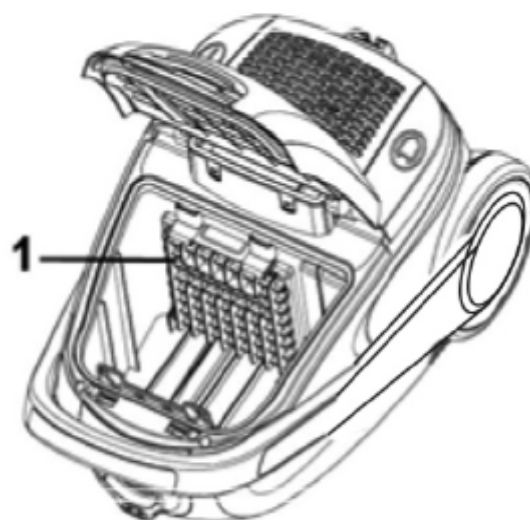


Fig.20



Changing the H12 HEPA Exhaust Filter (Fig. 21)



1. Switch off the vacuum cleaner.

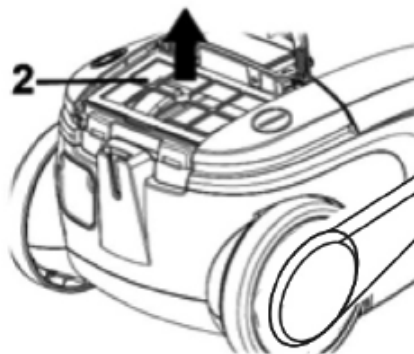
2. Remove the exhaust filter. Remove filter cover by lifting up two tabs with your fingers (Fig_21/1), then lift up the H12 HEPA filter and move it out (Fig 21/2).

3. Insert a new exhaust filter and push it down slightly until it locks into the holder.

4. Replace the dust filter bag and close the dust compartment cover. The cover clicks into place audibly.

NOTE: Make sure that that the exhaust filter is always properly locked into position, otherwise the exhaust air will not be properly filtered.

Fig.:



Changing the Motor Protection Filter

1. Switch off the vacuum cleaner and remove the dust filter bag as described in section “Changing the Dust Filter Bag,” steps 1 thru 4.

2. Remove the filter holder with motor protection filter (Fig 22). Slightly press it down and then pull the filter forwards and out.

3. Remove the motor protection filter (Fig. 23/1) from the filter holder (Fig. 23/2) over a dustbin.

4. Clean the filter holder.

5. If the new motor protection filter is too large, lay the old filter onto the new filter mat. Mark the contours and cut the new filter down to size with a pair of scissors.

6. Insert the new motor protection filter into the filter holder.

7. Insert the filter holder with the new filter into its bracket from above and push it down until it audibly locks into place.

8. Replace the dust bag - close the dust compartment cover. The cover clicks into place audibly.

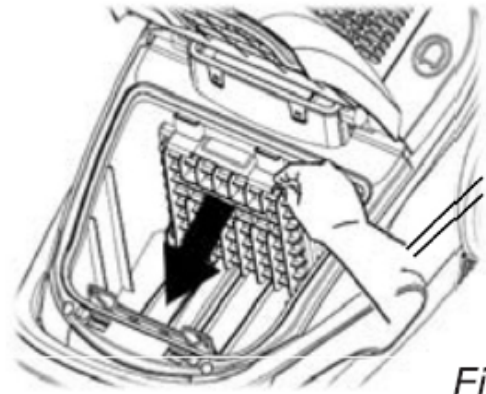


Fig.22

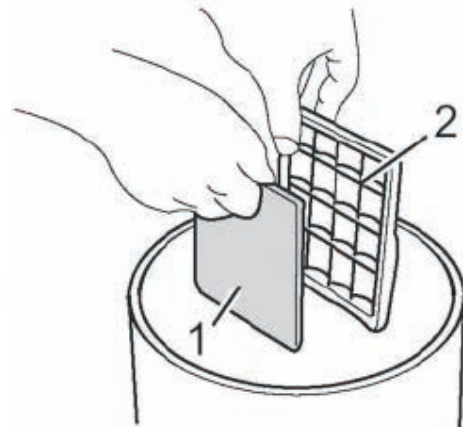


Fig.23

Cleaning the Housing

WARNING: Always switch off the appliance and disconnect it from the outlet before cleaning it. See section "Switching Off and Retracting Power Cord."

ATTENTION: Do not use cleaning or scouring agents or alcohol, as these might damage the appliance.

Clean the outside of the housing using a slightly damp water cloth only.

Troubleshooting

WARNING: Never use a defective appliance. Always switch off the appliance and disconnect it from the outlet before you start to troubleshoot. See section “Switching Off and Retracting Power Cord.”

Fault	Possible Cause	Solution
The appliance doesn't run	The plug is not connected to the electrical wall outlet or the appliance is not switched on.	Insert the plug into an electrical wall outlet and switch on the appliance. See section “Vacuum Cleaning.”

	Socket does not carry current.	Test the vacuum cleaner on another outlet that you are sure is carrying current.
	The power cord is damaged.	Replace with a new cord by a service center or professional technician.
Suction Power is low.	The dust filter bag is full or clogged.	Empty/clean the dust filter bag.
	Nozzle, telescopic tube or suction hose are clogged.	Remove the obstacle. If necessary, use a long wooden stick (e.g. a broomstick) to do this.
	The power setting does not fit the cleaning job.	Press the “+” button until power increases. See section “Vacuum Cleaning,” step 4.
	The “carpet/hard floor” switch (Fig 1/10) is in the wrong position for the particular type of floor.	Set the “carpet/hard floor” switch to the correct position for the particular type of floor (Fig 12/1). See section “Vacuum Cleaning,” step 5.
	The attached nozzle does not fit the flooring.	Attach the correct nozzle by shoving in all the way and firmly twisting to the right. See section “Using Accessories and Tools.”
	The filter is dirty.	Change/clean the respective filter. See section “Changing the Motor Protection Filter” or “Changing the H12 HEPA Exhaust Filter.”
The appliance makes unusual noises.	Sucked-in objects are obstructing the air stream.	Remove the objects. If necessary, use a long wooden stick (e.g. a broomstick) to do this.

Troubleshooting for Electric Power Nozzle –

Problem – electric power nozzle does not power up (motor does not turn on in power nozzle).

Solution – Please follow all the steps below and try again:

- a. Unplug cord from power nozzle on hose, count 20 seconds, then plug back in.
- b. Make sure the brush roll can roll freely and nothing is obstructing it.
- c. Make sure hose is firmly “snapped” into canister.
- d. Make sure main electrical wand is firmly “snapped” all the way to the hose.
- e. Make sure main electrical wand is firmly “snapped” all the way into the power nozzle.
- f. For models with reset button, firmly press reset button on electrical power nozzle.
- g. On the hose is an on/off switch. Make sure that it is turned on.
- h. On the Power Nozzle there is an on/off button make sure that is turned on as well.

If you plug the power nozzle directly into the hose and it turns on (but won’t turn on with main wand attached,) then you know the main wand is defective or a connection needs adjusting (see last problem below).

Problem – electric power nozzle turns on, but brush roll does not spin.

Solution – Most likely a large object may have been vacuumed up, jammed the brush roll and broke the belt. Remove bottom plate of the power nozzle, check or replace belt, remove obstruction and try again.

Problem – electric power nozzle cuts in and out as you vacuum back and forth.

Solution – There are several connections to get power to the power nozzle, they are: 1) the hose and canister, 2) the hose and main wand and 3) the main wand and power head. Make sure each of these is firmly connected. If you have traced the ‘cutting out’ problem to one of these areas and they are firmly connected, then when the vacuum is unplugged from the wall, you may take a pair of needle-nose pliers and slightly bend the male terminal out so it has a better connection.

THREE (3) YEAR LIMITED WARRANTY

Prolux warrants this product’s motors free from defects in material and workmanship for a period of three (3) years on the motor, and the rest of the vacuum for a period of 2 years, from the date of the original purchase, when utilized for normal household use, subject to the following conditions, exclusions, and exceptions:

If your appliance fails to operate properly while in use under normal household conditions within the warranty period, please contact your authorized PROLUX dealer you purchased the unit from. Non-durable parts including, without limitation, filters, accessories, brushes, belts, and electrical parts, which normally require replacement, are specifically excluded from warranty.

This warranty is limited solely to the cost of the repair or replacement of the unit at Prolux’s option. This warranty does not cover normal wear of parts and does not apply to any unit that has been tampered (by unauthorized user) with or used for commercial purposes. This limited warranty does not cover damage caused by shipping damage, misuse, abuse, negligent handling, or damage due to faulty packaging or mishandling in transit.

This warranty is extended to the original purchaser of the unit only and is not transferable. ***IMPORTANT: Before sending unit back for warranty work, contact your authorized PROLUX retailer you bought the unit from first. Unauthorized warranty claims may be sent back.**

Authorized Warranty claims: PROLUX shall be responsible for all parts and labor and the customer shall be responsible for all shipping charges to and from the PROLUX service center.

Prolux is constantly striving to improve our products. Therefore, the specifications contained herein are subject to change without notice.

Product Warranty Registration

Please follow the link below to register your Prolux product.

http://www.proluxcleaners.com/webforms/index/index/id/2/?__store=default

To find more information on this product, including warranty info and to contact Prolux Customer Service. Please follow the link below:

<http://www.proluxcleaners.com>

You can also reach Prolux by phone at: (801) 382-7655

Environmental tips

Once any electronic product is no longer functional, it should be disposed of in such a way as to cause minimum environmental impact, in accordance with the regulations of your local authority. In most cases you can take such products to your local recycling station.

