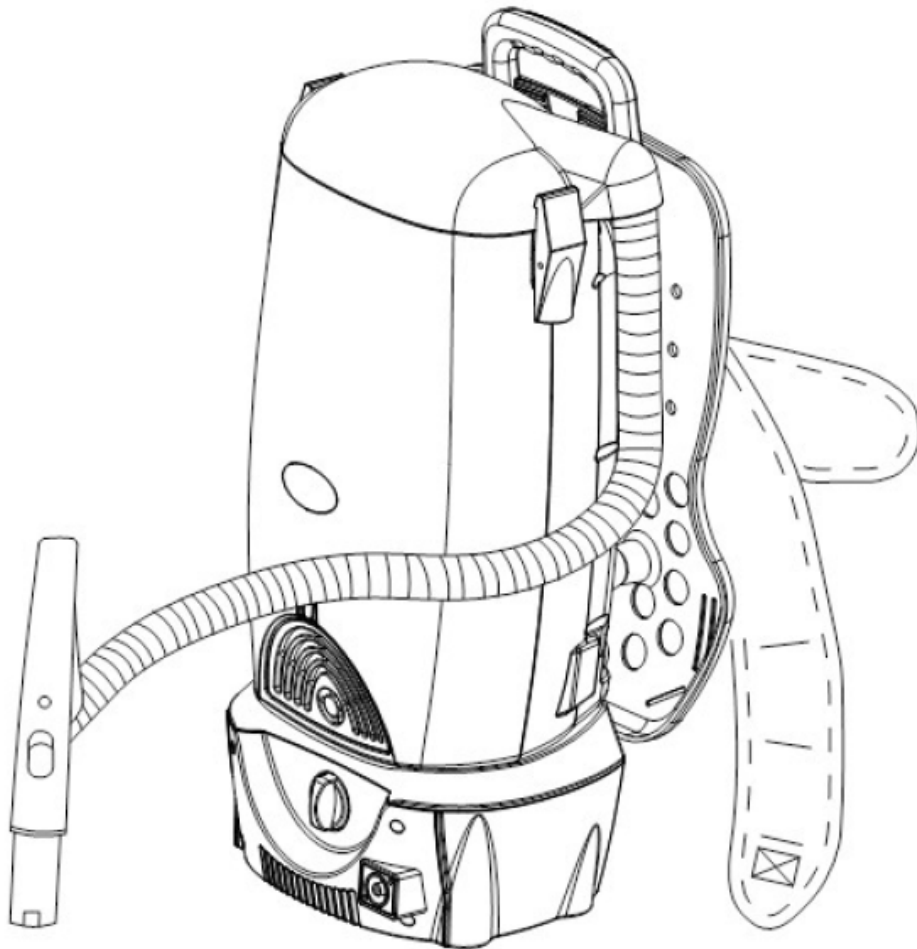


Prolux 8 quart 1 Hour BATTERY POWERED BACKPACK VACUUM

Operation Instruction

Read all instructions before using this appliance



Congratulations on your purchase of the Prolux 8 Quart Battery Powered Back pack vacuum! With up to 60 minutes of vacuuming time per charge this vacuum is designed to save you time and money! Simply turn on and go!

IMPORTANT SAFETY INSTRUCTIONS

When using your Vacuum, basic safety precautions should always be observed, Including the following:

Vacuum Safety

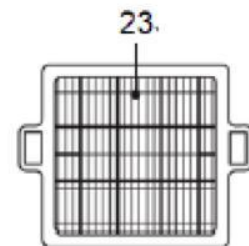
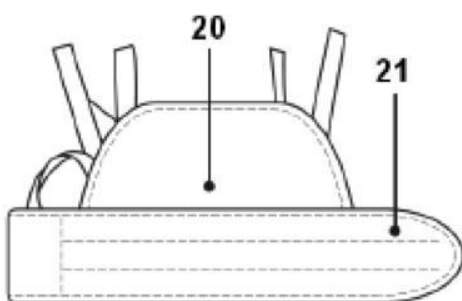
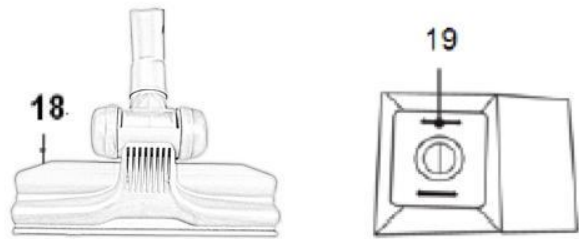
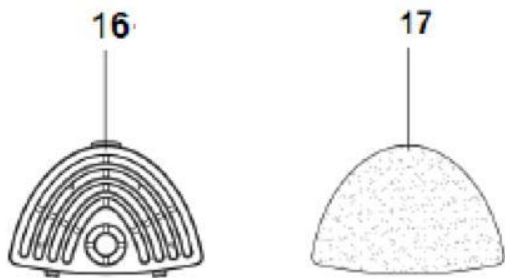
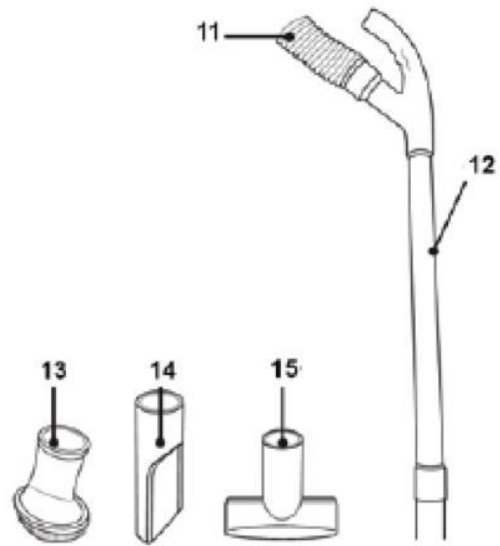
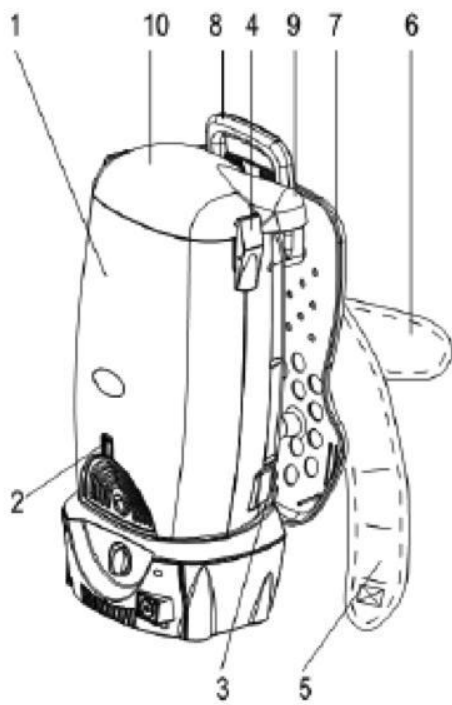


**Read Owner's Manual before using this product.
Failure to do so can result in serious injury or death.
To reduce the risk of fire, electric shock, or injury:**

1. Use only as described in this manual. Use only the recommended attachments, battery, charger, and replacement parts.
2. **DO NOT** use the vacuum outdoors or on wet surfaces.
3. **DO NOT** expose to rain or water.
4. **DO NOT** use or store vacuum in wet or moist conditions.
5. **DO NOT** try to recover any liquid with this vacuum. This vacuum is for **DRY RECOVERY ONLY**.
6. **DO NOT USE A DAMAGED VACUUM**. If the unit is not working as it should, or if it has been damaged, left outdoors, or exposed to water, take it to an Authorized Repair Center for inspection and repair.
7. **DO NOT** allow the vacuum to be used as a toy. Pay close attention when using the vacuum near children.
8. **DO NOT** handle the switch or battery pack with wet hands.
9. **DO NOT** put any objects into openings. Do not use with any opening blocked, keep free of dust, lint, hair, and anything that may reduce air flow.
10. Keep hair, loose clothing, fingers, and all parts of body away from openings and moving parts.
11. Use with extra care when cleaning on stairs.
12. **DO NOT** vacuum flammable or combustible materials or anything that is burning or smoking, such as cigarettes, matches, or hot ashes.
13. Sparks inside the motor can ignite flammable vapors, to reduce the risk of fire or explosion, **do not** use near combustible liquids, gases, or dusts, such as gasoline or other fuels, lighter fluid, cleaners, oil-based paints, or natural gas.
14. To reduce the risk of inhaling toxic vapors or dust, **DO NOT** vacuum or use near toxic or hazardous materials.
15. **DO NOT** use without filter in place.

16. Disconnect battery pack before servicing vacuum.

GETTING TO KNOW THE PROLUX BATTERY BACK PACK VACUUM



1. Main Unit
2. Exhaust Grill Port
3. On/Off Power Switch
4. Canister Lid Tabs
5. Adjustable waist Strap
6. Shoulder Straps
7. Back Board Panel
8. Carry Handle
9. Hose Inlet
10. Canister Lid
11. Flexible Hose
12. Telescopic Tube
13. Dusting Brush
14. Crevice Tool
15. Upholstery Tool
16. Exhaust Grill
17. Exhaust Filter
18. Floor Tool
19. Disposable bag
20. Waist Band Back Support Panel
21. Waist Band Tool Carrier
22. Cloth Dust Bag
23. HEPA Pre-Motor Filter

Operating Instructions

ASSEMBLING YOUR VACUUM

INSERT THE HEPA DUST BAG

Important: Do not use the vacuum without all filters, cloth dust bag, and with or without the HEPA dust bag in place.

1. Turn off the power with the switch and remove the flexible hose.
2. To open the canister lid press on the canister lid tabs on each side of the unit and lift canister lid. (Fig. 1)
3. Pull the tab on the patented HEPA dust bag holder out slightly and flip upwards. (Fig 2)
4. While holding the HEPA dust bag in your hand, slide it firmly between the slots in the bag holder. (Fig 2)
5. The cardboard face of the new bag should rest securely in the dust bag cover guide. (Fig 3)
6. Ensure that the cloth bag is in place. (Fig. 4)
7. Flip the patented HEPA bag holder over, pressing the tab on the bag holder until it clicks then replace the canister lid.
8. The canister lid can be replaced on the unit with the hose opening on the right or left, per your preference. (Fig 5)

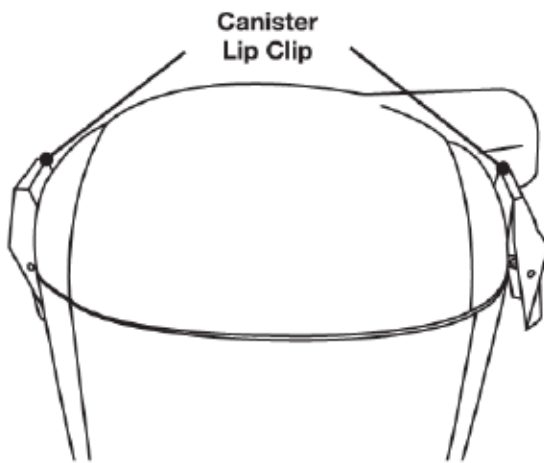


Fig 1

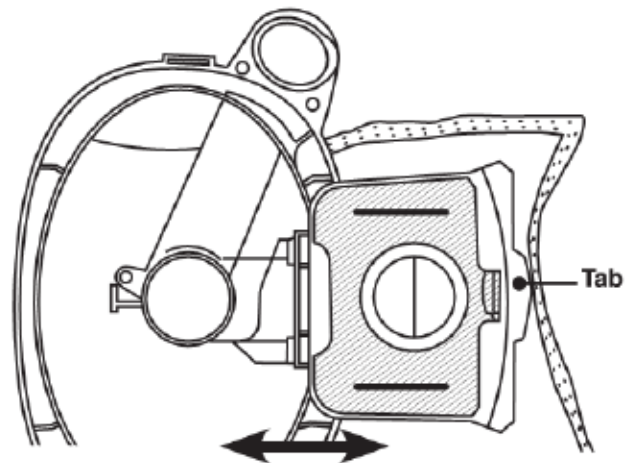


Fig 2

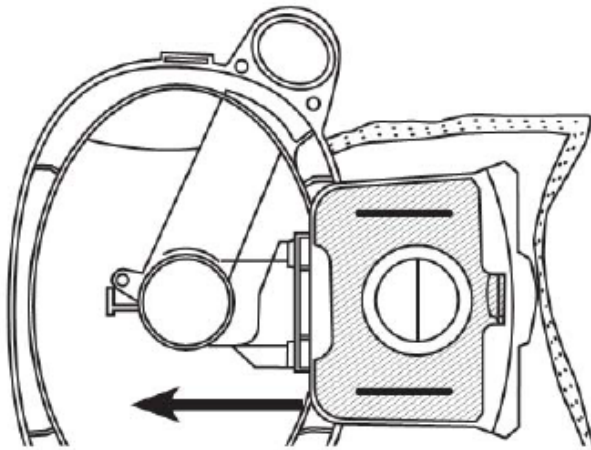


Fig 3

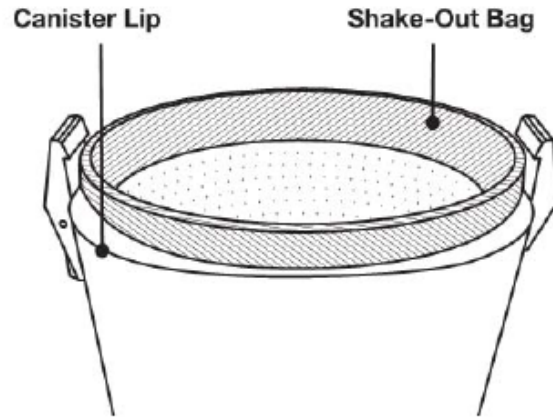


Fig 4

Attaching the Flexible hose to the vacuum

The flexible hose should be connected to the Vacuum before strapping the unit on.

1. To connect the flexible hose into the hose inlet, insert the threaded end of the flexible hose into the hose inlet and turn counter-clockwise until it locks into place. (Fig 6)
2. Turn on the switch then you can operate the vacuum.
3. To remove the telescopic tube from the flexible hose, press on the telescopic tube release button and pull it out. (Fig.7)
4. Use the floor tool to clean any floor surface from Hardwood, Tile, and Laminate, to even carpeted floors.
.(Fig.8)
5. To remove the telescopic tube from the floor to carpet brush, pull the telescopic tube out from Floor to Carpet Brush.

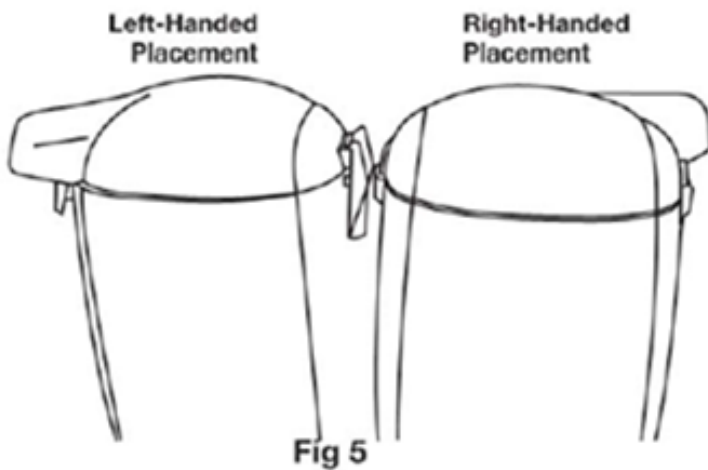


Fig 5

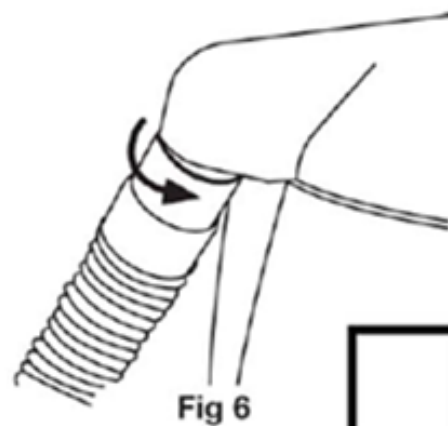


Fig 6



Prolux...Cleaning Reinvented!

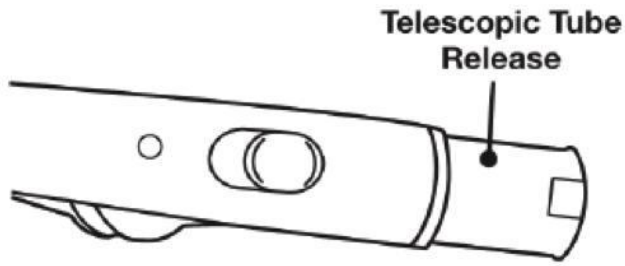


Fig 7

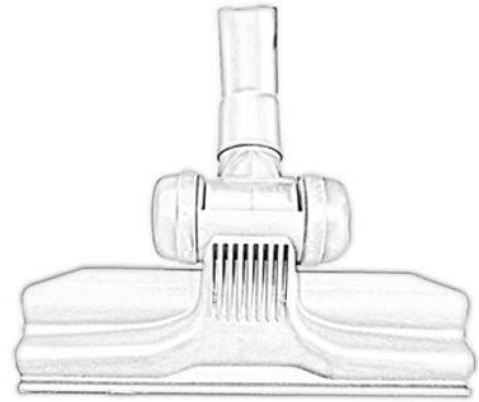


Fig 8

USING THE ATTACHMENTS

- **Dusting Brush**

The dusting brush is used for furniture (Fig 9)

- **Crevice Tool**

Use for radiators, crevices, corners, baseboards and between cushions. (Fig 10)

- **Upholstery Tool**

The Upholstery tool is used for upholstery, stairs, cars, pet hair & more. The unique surface makes it an excellent tool for cleaning. (Fig 11)

Note: This tool is not a grooming tool and should not be used on animals.

Caution: Do Not use Upholstery tool on delicate or woven Fabrics that may snag.

Do Not use Upholstery tool on wooden floors as this accessory might cause mild scratching.



Fig 9



Fig 10

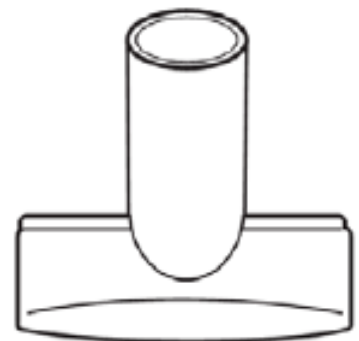


Fig 11

Manual Suction Control

Your vacuum cleaner includes a manual variable suction control on the flexible hose handle. The suction power can be adjusted by moving the suction regulator to the desired position between open and Closed. (Fig. 12)

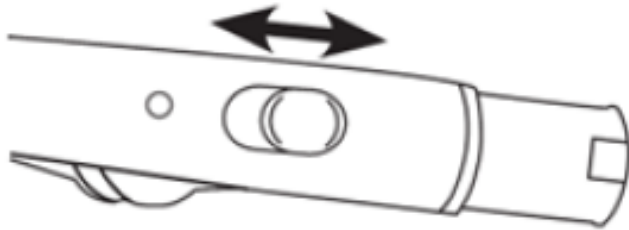


Fig 12

Using Your Vacuum

1. Ensure the battery pack is correct assemble in the vacuum
2. Connect hose and telescopic tube if desired
3. Correctly place shoulder straps on each shoulder and secure the waist band with hook and loop strips. (Fig.13)

Caution: If the waist band and both Shoulder straps are not properly and Securely in place the unit could fall off your back causing damage or injury.

4. Turn the unit on by pressing the switch located near the base of the unit to turn the vacuum cleaner on. (Fig.14)

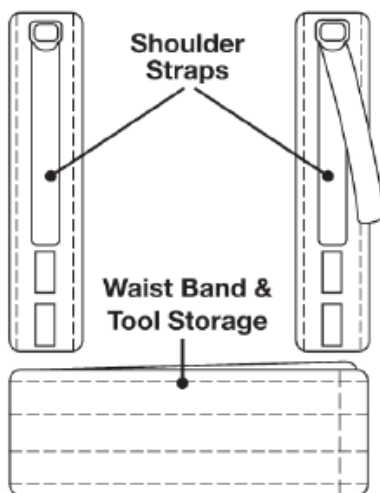


FIG 13

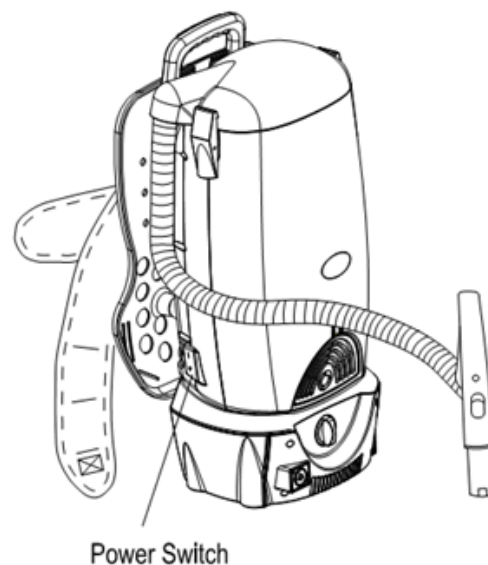


FIG 14

Removing & Replacing HEPA Dust Bag

To remove the **HEPA** dust bag from the vacuum:

Important: DO NOT use the vacuum without all filters, cloth dust bag, or without the **HEPA** dust bag in place.

1. To remove the **HEPA** dust bag, press on the canister lid tabs on each side of the unit and lift canister lid. (Fig.15)
2. Pull the tab on the **HEPA** dust bag holder out slightly and lift upwards. (Fig.15)
3. Holding the **HEPA** dust bag in your hand, slide it out from the slots in the bag holder. Hold carefully in order to avoid having dust fall out of the **HEPA** dust bag. (Fig. 16)
4. Replace the **HEPA** dust bag with a new bag. Do not reuse the same vacuum bag.
5. The cardboard face of the new bag should rest securely in the dust bag cover guides.
6. Place the cleaned cloth dust bag into the vacuum.
7. To replace the **HEPA** dust bag holder, flip the holder and press tab until it clicks.
8. Replace the canister lid onto the vacuum.

Warning: Never over fill the HEPA Dust bag – replace when bag is full and clean the cloth dust bag and filter each time the HEPA dust bag is replaced.

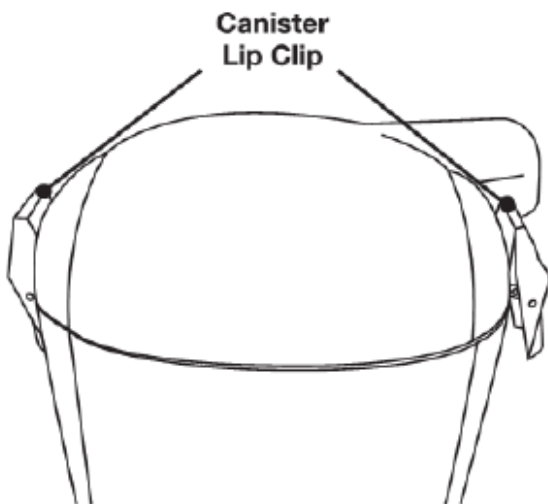


FIG 15

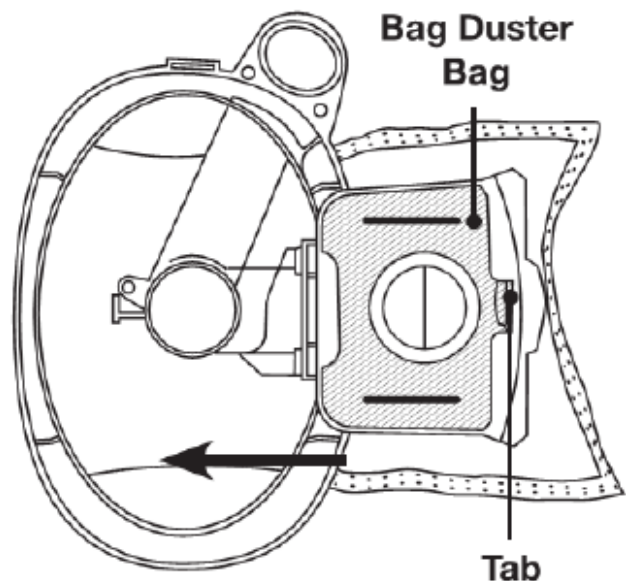


FIG 16

Cleaning & Replacing the Cloth Dust Bag

Note: Clean the cloth dust bag outdoors when changing the **HEPA** dust bag. Optimum performance is achieved by using the **HEPA** dust bag with the cloth dust bag decreasing the need for washing the cloth dust bag.

Cleaning the Cloth Dust Bag Used with the HEPA Dust Bag:

1. Remove the cloth dust bag, while holding the handle at the bottom of the bag, shake outdoors vigorously over a garbage receptacle until there is no more dust.
2. Inspect the cloth dust bag regularly for tears or damage. Replace the cloth dust bags if damage or tears are present.

Cleaning the Cloth Dust Bag when Used Alone (not suggested):

1. Remove the cloth dust bag, empty into trash can, and shake vigorously outdoors until there is no more dust.
2. The cloth dust bag is hand washable in lukewarm water.
3. Allow to air dry for 24 hours. The cloth dust bag should be replaced when needed.

Never place into the vacuum if still wet.

Note: If used often without **HEPA** dust bag, replacement and washing will be required more often.

4. Replace with the clean cloth dust bag and close the canister lid.

Cleaning the HEPA Pre-Motor Filter

Important, Please Note: The **HEPA** pre-motor filter will stop most of the tiniest dust particles and airborne allergens from re-entering the air you breathe. In fact it stops 99.97% of all particles as small as 0.3 microns- many times smaller than a human hair! Because of this incredible filtration performance, the **HEPA** pre-motor filter will accumulate many fine dust particles that are difficult to see. Be assured that the **HEPA** pre-motor filter is doing the job. Clean the **HEPA** pre-motor filter after each use as described in this section.

1. Remove the cloth dust bag from the canister. The **HEPA** pre-motor filter bag is located underneath the cloth dust bag. To remove the **HEPA** pre-contents into a motor filter, lift from the sides of the **HEPA** filter.
2. Vigorously “TapClean” the **HEPA** pre-motor filter on a hard surface to remove any residual dust that might still be on the **HEPA** pre-motor filter.
3. You can wash the **HEPA** pre-motor filter by running it under the tap and allowing the water to run on the dirty side when it appears dirty or suction is reduced.

Wash once a year or when suction appears reduced

WARNING

Allow 24 hours for drying before replacing in unit.

HOW TO CHARGE THE BATTERY PACK

When using the charger, basic precautions should always be followed, including the following:

Battery and Charging Safety



To reduce the risk of electric shock, fire, battery explosion, or injury:

1. Basic information and warning for the Battery and Charger are contained below. For detailed usage and warning information, read the HOW TO CHARGE THE BATTERY PACK carefully before using this unit.
2. **DO NOT** expose battery pack to temperatures above 122°F (50°C). Never leave battery packs in automobiles on hot days, where temperatures can be much higher than the outside temperature.
3. **DO NOT** use or store vacuum or batteries in wet or moist conditions, or with flammable or combustible materials.
4. **DO NOT** charge batteries or store battery for extended periods, 1 month or more, in temperatures above 90°F (32°C) or below 40°F (5°C).
5. When charging, make sure that the charger has at least 6 inches of clearance on all sides. Adequate airflow is required to cool the charger when use.
6. **DO NOT** use a damaged cord or plug for charging.
7. **DO NOT** pull on the charger's cord to unplug. Grasp and pull the plug, not the cord.
8. **DO NOT** handle the charger's cord plug with wet hands when inserting into electrical outlet.
9. Keep sparks and flames away from batteries. Do not smoke near batteries or charger.
10. **DO NOT** charge the unit outdoors.
11. **DO NOT** attempt to repair, service, or modify the battery system or charger. Contact Customer Service with any issues.
12. **DO NOT** short-circuit the battery or charger terminals with conductive items such as paper clips. This can deliver high current, resulting in heat and fire.
13. **DO NOT** crush, drop, incinerate or damage the battery pack.
14. **DO NOT** use a battery pack that has been damaged in any way.
15. **DO NOT** incinerate the battery even if it is severely damaged or non-working. The battery can explode in a fire.

SPECIFICATIONS AND PARTS

Charger Specification:

Charger input: 120V 50/60Hz AC only

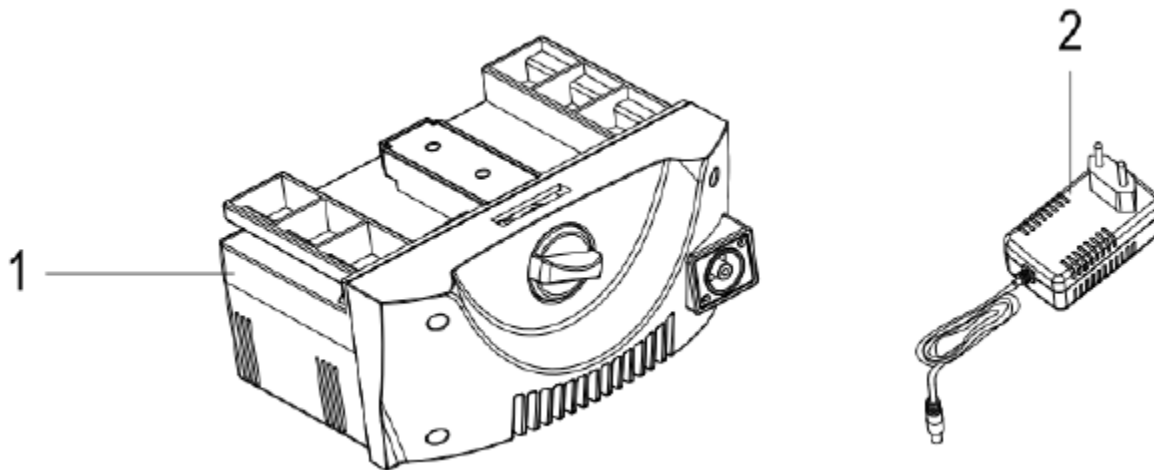
Charger output: 30V 1A

Battery Specification:

Lithium Polymer chemistry 25.2V

Approximate charge time: 8 hours

Approximate run time for new battery: 60 minutes.



1. Battery Pack 2. Charger

OPERATION



Charge in a well ventilated area. DO NOT block charger vents. Keep them clear to allow proper ventilation.

CHARGING LITHIUM POLYMER BATTERY PACKS

Lithium Polymer batteries deliver fade-free power for their entire run time. The Prolux vacuum will not gradually lose power due to decreasing battery charge. The vacuum will perform at its normal performance level until the battery has been depleted. Once this happens, recharging of the battery is required. It is not necessary to drain the battery pack completely before recharging.

If the charger's light is not lit at any point during the charging process, remove the battery pack from the charger to avoid damaging the product. DO NOT insert another battery. Contact the service with any issues.

BATTERY PROTECTION FEATURE

The 25.2-volt Lithium Polymer batteries are designed with features that protect the Lithium Polymer cells and maximize battery life. When the battery has reached its minimum voltage level the electronic will shut off the battery. Once the battery shuts off, it must be recharged.

PREPARING BATTERY PACK FOR CHARGING

1. Turn off the power switch. Confirm the switch is on the “O” position.
2. Unlock the battery pack by turning knob clockwise and take the battery pack out from the vacuum. (Fig 17)
3. Plug the round connector on the charger’s cord into the battery pack. (Fig 18)
4. Plug the charger’s power cord into 120V wall outlet (Fig 19)
5. The Battery pack may require approximately 8 hours to full charge.

Note: Battery pack may get warm while charging.



Before you assemble the battery pack back into the vacuum, please check the switch is on the “O” position.

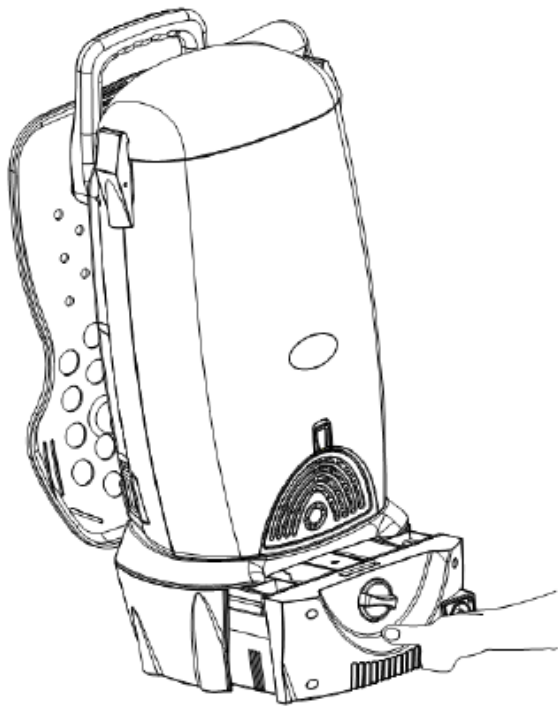


Fig 17

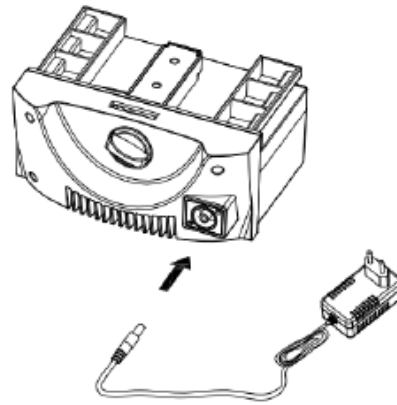


Fig 18

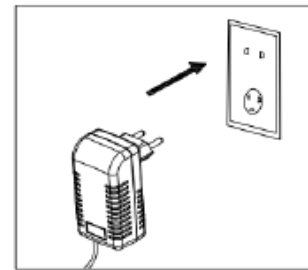


Fig19

THREE (3) YEAR LIMITED WARRANTY

Prolux warrants this product's motor free from defects in material and workmanship for a period of three (3) years on the motor, and one (1) year on the body of the cleaner, free from manufacturer defects in material and workmanship from the original date of purchase, when utilized for normal use.

What is Not Covered by the Prolux Warranty - Warranty Exclusions. This limited warranty does not extend to and expressly excludes:

- 1. Normal wear and tear and/or replacement attachments or accessories, including, without limitation, pad, wheels and other attachments to the cleaner.**
- 2. Damage or burnout of the cleaners body or motor resulting from failure to clear a blockage occurring during the normal course of use.**
- 3. Loss or damage to the cleaner body resulting from conditions beyond the control of Prolux including without limitation, misuse, accidents, abuse, neglect, negligence from the customer, overuse beyond capacity of the cleaner, or unauthorized modification and/or alteration.**
- 4. Loss or damage to the cleaner resulting from failure to follow the required maintenance schedule, or failure to use the cleaner in accordance with written instructions from Prolux, guidelines or the terms of its Owner's Manual.**

If your appliance fails to operate properly while in use under normal household conditions within the warranty period, please contact your authorized PROLUX dealer you purchased the unit from. Non-durable parts including, without limitation, pads, cords, switches, which normally require replacement, are specifically excluded from warranty.

This warranty is limited solely to the cost of the repair or replacement of the unit at Prolux's option. This warranty does not cover normal wear of parts and does not apply to any unit that has been tampered (by unauthorized user) with or used for commercial purposes. This limited warranty does not cover damage caused by shipping damage, misuse, abuse, negligent handling, or damage due to faulty packaging or mishandling in transit.

This warranty is extended to the original purchaser of the unit only and is not transferable.

***IMPORTANT: Before sending unit back for warranty work, contact your authorized PROLUX retailer you bought the unit from first. Unauthorized warranty claims may be sent back.**

Authorized Warranty claims: PROLUX shall be responsible for all parts and labor and the customer shall be responsible for all shipping charges to and from the PROLUX service center.

Prolux is constantly striving to improve our products. Therefore, the specifications contained herein are subject to change without notice.

Product Warranty Registration

Please follow the link below to register your Prolux product.

http://www.proluxcleaners.com/webforms/index/index/id/2/?__store=default

To find more information on this product, including warranty info and to contact Prolux Customer Service. Please follow the link below:

<http://www.proluxcleaners.com>

You can also reach Prolux by phone at: (801) 382-7655

Environmental tips

Once any electronic product is no longer functional, it should be disposed of in such a way as to cause minimum environmental impact, in accordance with the regulations of your local authority. In most cases you can take such products to your local recycling station.

