



*For your safety, please read the Owner's Manual in its entirety.*

**Instruction Manual**

Congratulations on purchasing your very own Prolux PLC2.0B Bagless Backpack Vacuum! The Prolux PLC2.0B is the world's ONLY bagless backpack vacuum. Because backpack vacuums can cut cleaning time in half, many companies use them to clean commercial buildings. Now you too can enjoy up to 50% less cleaning time! Weighing only 9lbs., and with 125 CFM, this vacuum is over 40% lighter and more powerful than the competition! The Prolux PLC2.0B comes with a 3-year/700 hour motor warranty, and thanks to its state-of-the-art Motor Bypass Technology, you won't have to worry about overheating due to a clogged hose. With its simple-to-use design, and easily attachable cleaning accessories, the Prolux PLC2.0B will surely become your favorite appliance to use!



# Table of contents

<b>Specifications</b>	4
<b>Optional Accessories</b>	5
<b>Safety Precautions</b>	6-7
<b>Assembly</b>	
Getting To Know Your Vacuum	8-10
Using The Accessories & Tools	11-13
<b>Operation</b>	
Operating Instructions/Adjusting Harness	14
<b>Maintenance</b>	
Emptying The Dust/Dirt Container	15
Changing/Cleaning Intake Vortex Filter	16
Changing/Cleaning HEPA Exhaust Filter	16
Cleaning The Housing	16
<b>Troubleshooting</b>	17
<b>Warranty</b>	18

# **Specifications**

- Lightweight – Only weighs 9 lbs.
- Powerful 1400-Watt, 12-amp motor
- Amazing 125 Cubic Feet per Minute of Airflow! (Most vacuums only have 80 CFM)
- 95 Inches of Water Lift
- Motor Bypass valve, which adds years of life to the Motor
- 3 Year/700 Hour motor Warranty and 5 Year body Warranty. (See Warranty Section)
- Cleans twice as fast as standard Upright Vacuums.
- 3-Stage filtration:
  - HEPA H13 Filter, which keeps the air clean with 99.95% efficiency
  - Patented ProLux Cyclonic Filtration Technology ©
  - Micron Filter
- UL Rated 50ft Commercial power cord
- 0.64L Dust Receptacle Capacity
- Heavy-Duty Commercial grade 1-1/2” attachment set.

# OPTIONAL ACCESSORIES

**The Prolux 2 PLC2.0B Power Nozzle attachment** – This attachment is great for areas where the majority of the flooring is carpet or rugs. With its electrically powered spinning brush-roll, this is the perfect attachment to deep clean any carpeted surface.



# IMPORTANT SAFETY INSTRUCTIONS

## READ ALL INSTRUCTIONS IN THIS OPERATING MANUAL BEFORE USING THIS APPLIANCE.

When using an electrical appliance, basic precautions should always be followed, including the following:

Keep the operating manual for reference. Include the operating manual if you pass the appliance to third parties. **Violations of the operating instructions can lead to severe injuries as well as damage to the appliance.** Prolux takes no responsibility for damages due to violations of these operating instructions.

### Notices Given:

Notices for your safety are specially marked. Always observe these notices to avoid any damage to the appliance.

**WARNING:** Warning concerning health hazards describing possible risks of injury.

**ATTENTION:** Warning concerning possible dangers to the appliance or other objects.

**NOTE:** Highlights tips for you.

### **WARNING** - To reduce the risk of fire, electric shock, or injury:

1. Do not leave the vacuum cleaner plugged in. Unplug from outlet when not in use, or before servicing.
2. Use only as described in this manual. Use only the recommended attachments and replacement parts.
3. To reduce the risk of electric shock, do not use outdoors, on wet surfaces, and do not use for wet pickup/cleanup.
4. Do not use with damaged cord or plug. If the vacuum cleaner is not working as it should, has been dropped, damaged, left outdoors, or dropped into water, take it to a service center before use.
5. Do not pull or carry the vacuum by its power cord, do not use the power cord as a handle, do not close the door on power cord, or pull the power cord around sharp edges or corners. Do not run vacuum cleaner over the power cord. Keep the power cord away from heated surfaces.
6. Do not unplug the power cord from your wall by pulling on the cord. To unplug, grasp the end of the plug, not the cord.
7. Do not handle the power cord/plug or vacuum cleaner with wet hands.
8. Do not put any object into the openings of the vacuum. Do not use the vacuum with any openings blocked. Keep openings free of dust, lint, hair and anything that may reduce airflow.
9. Keep hair, loose clothing, fingers, and all body parts away from openings and moving parts of the vacuum.
10. Turn all controls off before unplugging the vacuum.
11. Use extra care when cleaning on stairs.
12. Do not use to pick up flammable or combustible liquids, such as gasoline, or use in areas where they may be present.
13. Hold the end of the plug on the power cord when rewinding the cord into the cord reel. Do not allow end of plug to whip when rewinding.
14. Unplug the vacuum before connecting the hose.
15. Do not pick up anything that is burning or smoking, such as cigarettes, matches, or hot ashes.
16. Do not use without dust bin and/or filter in place.
17. If the power cord is damaged, the manufacturer or an authorized service center must replace it, in order to avoid a hazard.
18. This appliance is not intended for use by persons (including children) with reduced physical, sensory or mental capabilities, or lack of experience and knowledge, unless they have been given supervision or instructions concerning the use of the appliance by a person responsible for their safety.
19. Children should be supervised to ensure they do not play with the appliance.

## Do not vacuum or clean:

- Hair and other parts of the body. They could be sucked in and cause injury.
- Pieces of Clothing (e, g, shoe laces, scarves, etc.). They could be sucked in and cause injury.
- Water and other liquids, especially moisture from carpet cleaning agents. Moisture inside the appliance can lead to short-circuiting.
- Toner dust (from laser printers, copying-machines, etc.). There is danger of fire or explosion.
- Hot ash, burning cigarettes or matches. This could cause a fire.
- Pointed objects such as glass shards, nails, etc. Such objects destroy the filters.
- Plaster, cement, and fine drilling-dust, makeup, etc. The filters may clog causing damage to the appliance.

Never use the appliance near flammable or explosive materials -- there is danger of fire or explosion.

Never use the appliance outdoors -- there is danger of rain and dirt destroying the appliance.

Never stick objects into the appliance's openings -- it could cause the appliance to overheat.

## Cord Connection

The vacuum runs on electricity, that means there is always a risk of electric shock, so please observe the following:

- Never touch the plug with wet hands.
- Always pull the plug directly to disconnect the appliance from the outlet. Never pull on the cord, as it might break.
- Make sure the power cord is not bent, pinched, rolled over, or makes contact with heat sources.
- Only use extension cords suited to the power requirements of the appliance.
- Never immerse the appliance in water or other liquids.
- Only operate the appliance if your outlet voltage is the same as indicated on the appliance's nameplate. Using the wrong voltage can destroy the appliance.
- If the power cord of this appliance is damaged it must be replaced by the manufacturers, their authorized service representative, or a similarly qualified person to avoid danger to the user.

Never use a defective appliance or operate an appliance with a defective power cord. There is major risk of injury.

## Children

Never leave the appliance unattended, and use with special precaution if children or persons who cannot judge dangers are nearby.

Persons (including children) who are unable to safely operate the appliance on account of physical, sensory, or mental abilities, or lack of experience or knowledge should only use this appliance under supervision or instruction of a responsible person. Packing materials are not toys. There is danger of suffocation. KEEP OUT OF REACH OF CHILDREN.

# GETTING TO KNOW YOUR BACKPACK VACUUM

1. Main Motor Unit

2. Dust Container

3. Flexible Hose

4. Shoulder Straps

5. Exhaust HEPA Filter

6. Air Inlet Vortex Filter

7. Carpet/Floor Brush

8. Crevice Tool

9. Upholstery/Pet Hair tool

10. Dusting Brush

11. Mini Turbo/Pet Tool

12. Quick Adjusting Telescoping Wand

13. Squeegee Blade

14. Squeegee Floor Tool

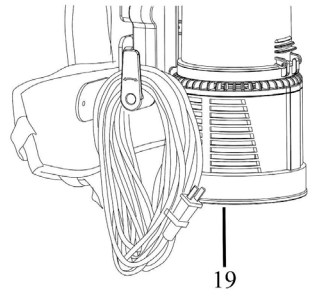
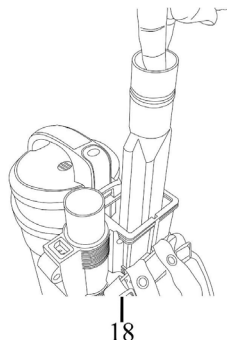
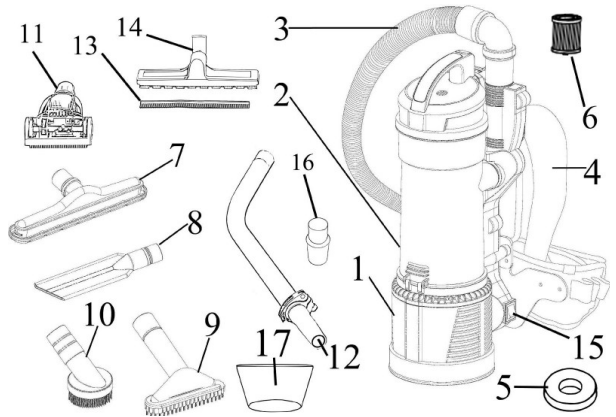
15. ON/OFF Power Switch

16. Tool Adapter

17. Self-Cleaning Filter Cone

18. Additional Tool Storage

19. Easy Access Cord Storage





# ASSEMBLY AND OPERATING INSTRUCTIONS

**NOTE:** Always remove the power plug from the wall outlet before assembling or removing accessories.

## **ATTACHING THE FLEXIBLE HOSE & TELESCOPIC WAND TO THE VACUUM**

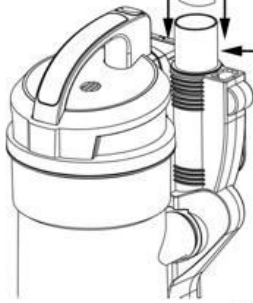
The flexible hose should be connected before strapping the unit on.

1. To connect the flexible hose to the unit, slide the hose connector over the air inlet (Fig 1).
2. To connect the flexible hose to the telescopic wand, slide the attachment end of the hose connection over the lower end of the telescopic wand (Fig 2).
3. To adjust the wand, locate the black clamp and pull up on the release lever to release tension from the clamp. Once tension has been released, you can adjust the wand to desired length. If the wand still does not move, locate and loosen the small set screw on the opposite side of the lever.
4. Plug the power cord into the electric outlet.
5. To remove the flexible hose, unplug the power cord and pull the hose connector from the air inlet.
6. Pull the handle out from the telescopic wand (Fig 2).

Hose connection.  
(machine end)

**Fig 1**

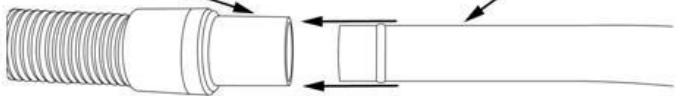
Intake



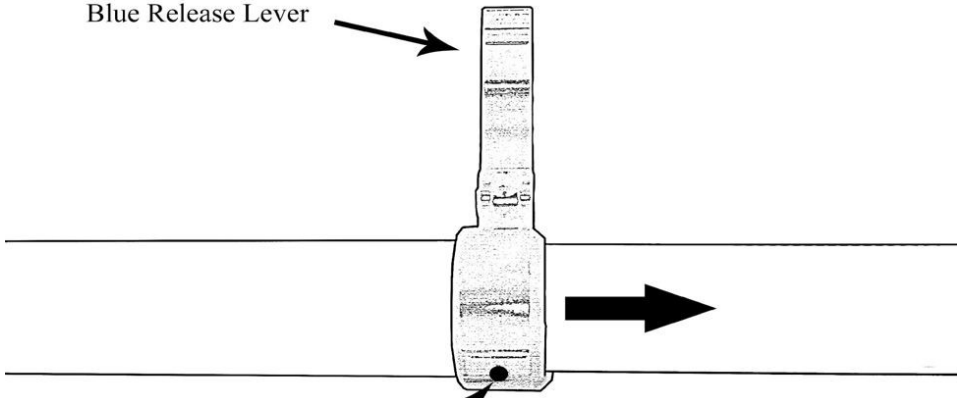
Hose connection  
(attachment end)

Attachment wand.

**Fig 2**



Blue Release Lever



Set Screw

# USING THE ATTACHMENTS

## DUSTING BRUSH

The Dusting Brush is used for all types of furniture. (Fig 3)

## CREVICE TOOL

Use for cleaning radiators, cracks & crevices along corners, baseboards, and in-between cushions. (Fig 4)

## PET HAIR REMOVAL BRUSH

The unique design makes it an excellent tool for removing unwanted pet hair from virtually any surface. (Fig 5)

**NOTE:** This tool is not a grooming tool and should not be used on animals.

**Caution: DO NOT** use the Pet Hair Removal Brush on delicate or woven fabrics that may snag.

**DO NOT** use the Pet Hair Removal Brush on wooden floors as this accessory may cause mild scratching or scarring of the surface. Always test a surface in an area that cannot be seen before use.

## CARPET/FLOOR BRUSH

The Prolux PLC2.0B includes a specially designed floor tool that can be used on any surface without switching attachments. Easily transition between high pile carpets, low pile carpets, and hard floor surfaces. (Fig 6)

## HARDFLOOR BRUSH

The squeegee tool has soft bristles and quality rubber squeegee to protect your floors. If you have hardwood, tile or Pergo this is a must have for your vacuum. (Fig 6a)

## MINI TURBO BRUSH

Perfect tool for upholstery, stairs, vehicles, and any other hard to reach places. (Fig 6b)

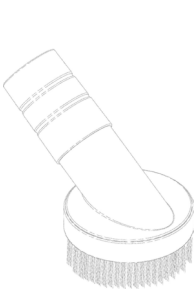


Fig 3



Fig 4



Fig 5

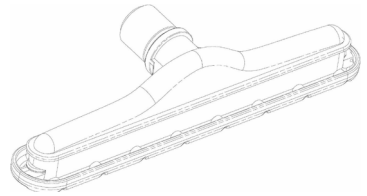


Fig 6

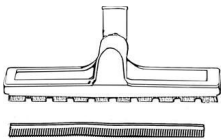


Fig 6a

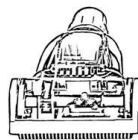


Fig 6b

## CONNECTING THE ATTACHMENTS TO YOUR WAND

**NOTE:** When using the Duster, Crevice, and Upholstery Tool, make sure to use the adapter provided with your Backpack Vacuum Cleaner.

Connecting the tools to your telescopic wand is quick and easy. The tools use a Friction Fit Connection which means you push the tool on to the wand (or adapter if applicable) and twist in either direction. (Fig 7)

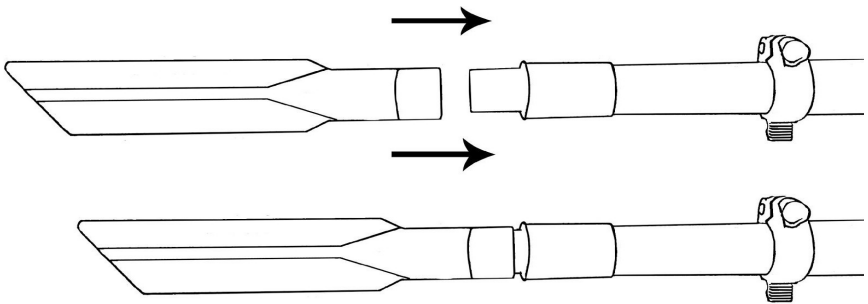


Fig 7

## PROPER VACUUMING TECHNIQUE WITH THE PROLUX PLC2.0B FLOOR TOOL

When vacuuming with your Prolux PLC2.0B, you may vacuum using the standard forward and backwards vacuuming motion as you would with standard vacuum cleaners. However, because of the new Prolux PLC2.0B floor tool design, you can vacuum an area by vacuuming in half circle motions and vacuum the same area twice as fast.

- Start by holding the wand as seen in (Fig A).
- Now twist at the waist in a side-to-side motion creating large “half circles” with the floor tool as you walk forward or backward. Vacuuming this way exerts less energy, which creates less fatigue on the arms and upper body and is two times faster than vacuuming using the traditional forward and backward motions.

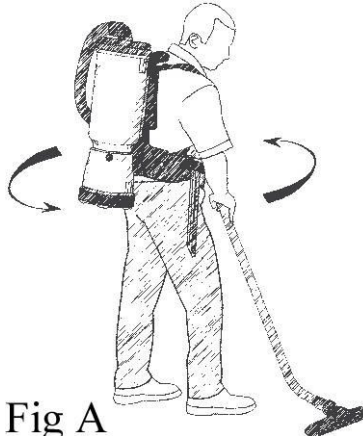


Fig A

## USING YOUR VACUUM

1. Insert the power plug into the wall outlet
2. Connect hose and telescopic tube if desired.
3. Correctly place shoulder straps on each shoulder and secure the waistband strap. (Fig 8 through Fig 8b)

**Caution:** If the waistband and both shoulder straps are not properly and securely in place, the unit could fall off your back, causing damage or injury.

4. Turn the unit on/off by pressing the switch located near the base of the unit. (Fig 9)

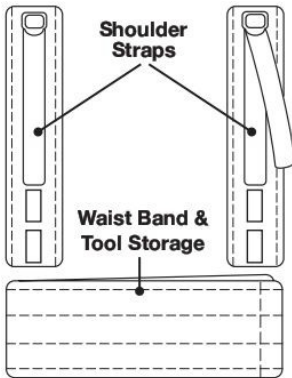


Fig 8



Fig 8A



Fig 8B

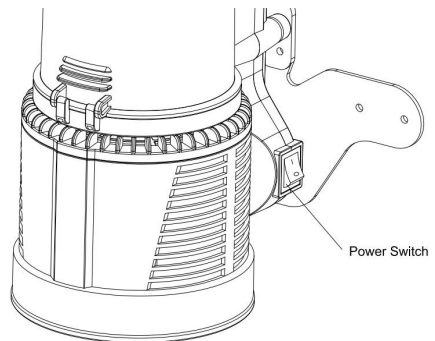


Fig 9

## HOW TO EMPTY THE DUST CONTAINER

The dust container must be emptied as soon as it reaches the “MAX” mark indicated on the outside of the tank, or if the suction power has dropped. To empty the Dust Container, please follow the instructions below:

1. Switch the vacuum cleaner to the “Off” position and disconnect the plug from the wall outlet.
2. Release the dust container by pressing down the release button. (Fig 10)
3. Pull the dust container away from the vacuum cleaner.
4. Hold the dust container low over your trash receptacle, to avoid dust falling onto your floors.
5. Press the release button. When the release button is pressed, the bottom cover will open and the dust will drop into your trash receptacle. (Fig 11)

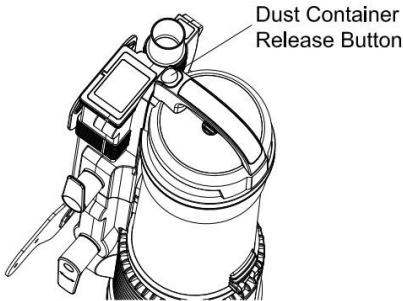


Fig 10

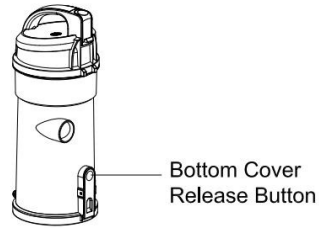


Fig 11

## HOW TO CLEAN AND REPLACE THE Vortex & HEPA FILTERS

There are two filters in this unit - the intake Self-Cleaning Vortex filter, and the exhaust HEPA filter. When the filters are too dirty, and the suction power is reduced, you must clean or replace the filters.

### TO CLEAN AND REPLACE THE VORTEX INLET PRE-MOTOR FILTER:

1. Open the top Vortex chamber cover by rotating the cover counterclockwise. (Fig 12)
2. Pull the Self-Cleaning Vortex filter from the chamber by rotating it counterclockwise to unlock it, and then pull it up and out of the unit. (Fig 12)
3. Clean the filter using warm water, then allow the filter to air dry completely. Once the filter has completely air dried, then place the filter back into the Vortex chamber. Or, if the filter is too dirty, or in an unusable condition, replace the filter with a new one.



**NOTE:** The Prolux Self-Cleaning Vortex filter only needs to be cleaned when the entire surface of the filter becomes dirty. Due to its highly efficient design the Self-Cleaning Vortex filter is three times more efficient than standard filters and will have the same amount of airflow whether it's dirty or clean. The entire surface of the filter will have to be covered in debris before the performance of the vacuum is affected, and the filter needs to be cleaned.

**TO CLEAN AND REPLACE THE EXHAUST HEPA FILTER:**

1. Open the exhaust cover by rotating it counter clockwise. (Fig 13)
2. Pull the exhaust HEPA out of the unit. (Fig 13)
3. Clean the filter using warm water, and allow air-drying completely, and then place the filter back into the unit. Or, if the filter is too dirty, or in an unusable condition, replace the filter with a new one.

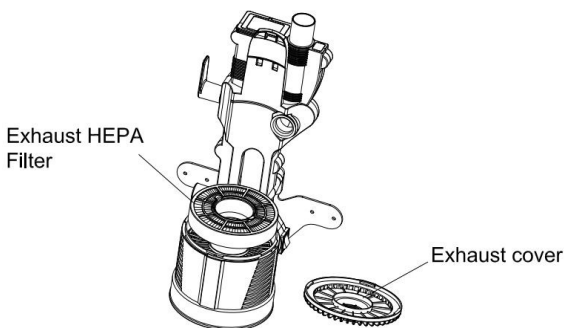


Fig 13

**CLEANING THE HOUSING:**

**WARNING:** Always switch off the appliance and disconnect it from the outlet before cleaning it. See section "Switching Off and Retracting Power Cord."

**ATTENTION:** Do not use Alcohol, cleaning, or scouring agents to clean your machine, as these may damage the appliance. Clean the outside of the housing using only a slightly damp washcloth with mild soap.



# Troubleshooting

**WARNING:** Never use a defective appliance. Always switch off the appliance and disconnect it from the outlet or remove the battery before you start to troubleshoot.

Fault	Possible Cause(s)	Solution
The vacuum will not turn on.	The plug is not connected to the electrical wall outlet or the appliance is not switched to the “on” position.	Insert the plug into an electrical wall outlet and flip the “on/off” switch to the “on” position. See section “Vacuum Cleaning.”
	Electrical wall socket does not carry current.	Test the vacuum cleaner on another outlet that you are sure is carrying current.
	The power cord is damaged.	Replace with a new cord by an authorized service center or professional technician.
Suction power is low.	The Dust/Dirt bin is full or clogged.	Empty/clean the Dust/Dirt bin.
	The power nozzle, attachment wand, or suction hose is clogged.	Remove the debris that is causing the clog. If necessary, use a long wooden stick (e.g. a broomstick) or coat hanger to do this.
	The Dirt/Dust container is installed incorrectly.	Remove the Dirt/Dust container and reinstall; making sure the container is locked into place when reinstalling.
	The tool attachment being used does not work properly on the surface you are vacuuming.	Attach the appropriate tool for the surface you are vacuuming. See page 8.
	Dirty filter(s).	Change/clean the filter(s). See page 14.
The vacuum makes unusual noises, or is louder than usual.	The power nozzle, attachment wand, suction hose, or filters are clogged.	Remove any clogs. If necessary, use a long wooden stick (e.g. a broomstick) or coat hanger to do this.

***The information contained herein is confidential and is intended to be used by Prolux Cleaners authorized distributors and sales representatives.***

Prolux Cleaners guarantees its products according to the terms outlined below. There are no other warranties expressed or implied, including any implied warranties of merchantability or fitness for a particular purpose. Under no circumstances will Prolux Cleaners or the seller be liable for any loss, damage, expense, or consequential damage arising in connection with the use or inability to use these products. If a component fails to meet the term of the warranty due to defects in workmanship or materials, Prolux Cleaners will repair or replace the defective component free of charge, including labor according to our flat rate schedule and the Prolux Cleaners Warranty Procedures.

**All warranties implied below are subject to the Exceptions and Exclusions clause in this policy located in this document.**

Product Category	Polyethylene and Structural Foam	Steel Body Parts	Switches, Motors Electrical Parts	Labor Paid
Machine	Years	Years	Years	Years
Battery Walk Behind Scrubbers 14” and 18”	5	2	3yr Switches 3yr or 700hrs (whichever comes first) on the motor 3yr Electrical Parts 12mo Pro Rated Lithium Ion Battery	1
Wide Area Vacuum	5	2	1yr Switches 2yr or 700hrs (whichever comes first) on the motor 1yr Electrical Parts	1
Gel Batteries (3) (4)	N/A	N/A	12mo of Full Coverage	N/A
Micro Scrubber	3	2	12mo Pro Rated Lithium Ion Battery	1
Canister Vacuums	5	N/A	2yr Switches 3yr or 800hrs (whichever comes first) on the motor 3yr Electrical Parts	1
Backpack Vacuums	5	N/A	2yr Switches 3yr or 700hrs (whichever comes first) on the motor 3yr Electrical Parts	2
Upright Vacuums	N/A	N/A	1yr Switches 2yr or 500hrs (whichever comes first) on the motor 1yr Electrical Parts	1
Garage Vacuums	1	10	2yr Switches 2yr or 500hrs (whichever comes first) on the motor 5yr Electrical Parts	2
Wet Dry Vacuums	10	N/A	2yr Switches 2yr or 500hrs (whichever comes first) on the motor 2yr Electrical Parts	2

Carpet Extractors and Fabric Care	10	2	1yr Switches 2yr or 700hrs (whichever comes first) on the motor 2yr Electrical Parts	1
Central Vacuums	N/A	10	2yr Switches 2yr or 800hrs (whichever comes first) on the motor 5yr Electrical Parts	2
Structural Foam Floor Machines	10	2	3yr Switches 3yr or 700hrs (whichever comes first) on the motor 3yr Electrical Parts	2
Commercial Floor Scrubber 13"/15"/17"/20"	5	3	1yr Switches 2yr or 900hrs (whichever comes first) on the motor 1yr Electrical Parts	1
Ozone Generator	N/A	1	1yr Switches 1yr or 300hrs (whichever come first) on the motor 1yr Electrical Parts	1
Steam Extractor	5	N/A	1yr Switches 2yr or 700hrs (whichever comes first) on the motor 2yr Electrical Parts	1

## **Warranty Coverage Information and warranty voids/exclusions**

1. Vacuum(s): (Backpack, Cannister, Wide Area and Upright Vacuums) must be used with a Prolux Vacuum bag to qualify for their applicable motor warranty. If the vacuum is used bagless or with another manufacturer's vacuum bag, the warranty is 1 year. Damage or malfunction caused by negligence, abuse, neglect, unauthorized repair, or any other use not in accordance with the user guide is not covered. Damage caused by misuse (e.g., vacuuming up water or other liquids), abuse, negligent handling, failure to perform required maintenance (e.g., not cleaning the equipment, replacing filters) or damage due to mishandling in transit.
2. Subject to the Gel Battery exception and exclusion paragraph located on page 4 of this document.
3. Subject to the Gel Battery Warranty Coverage explained on page 3 of this document.
4. Steam Extractor/Steam Carpet Extractor: This warranty does not apply and is void if the pump, vacuum motor, or heater has worn motor brushes, water damage, freezing, chemical build-up, chemical damage, or evidence of abuse, neglect, or tampering. brushes. Damage or malfunction caused by negligence, abuse, neglect, unauthorized repair, or any other use not in accordance with the user guide is not covered.
5. Walk behind 14" and 18" automatic scrubbers: This warranty does not apply to normal wear, or to items whose life is dependent on their use and care such as belts, cords, switches, hoses, rubber parts, brushes, electrical motor components or adjustments.
6. Ozone Generators: Warranty does not ozone cover plates or filters.

Warranty shall commence six (6) months from the purchase date by the Prolux Cleaners distributor, or on the purchase date by the original end user. Whichever comes first.

### **Labor Rate**

Prolux Cleaners will allow \$50.00 per hour for warranty labor work. All warranty labor charges will be paid on this basis. Any repair that requires less than fifteen minutes of labor will not be eligible for reimbursement. This labor allowance does not take into consideration troubleshooting or diagnosis time taken for the repair. All repair times are subject to the flat rate schedule enclosed in this document.

If any operation is not covered in this flat rate schedule, Prolux Cleaners will determine a labor rate when a claim is made based on actual repair times by our own service technicians.

**Please note:** Situations may arise that require special consideration. In these cases, to request special consideration, please contact your Prolux Cleaners warranty department or Prolux Cleaners salesperson and or rep group.

### **Travel Allowance**

Travel allowance charges are covered for 180 days from date of purchase to the original end-user for all **battery equipment** Prolux Cleaners will pay \$50.00 per hour to a maximum of 2 hours. Travel allowance for other products is not covered under the warranty policy. It is the purchasers' responsibility to bring equipment to the dealer for warranty repair.

Repair of any components or machines by independent service stations is not allowed except by prior authorization. If unauthorized service is performed by a third party, any debts incurred are the responsibility of the distributor.

### **Replacement Parts**

Replacement parts for machines exceeding the original warranty period are covered for ninety (90) days. Replacement parts that are considered wear items carry no warranty.

## **Clearance and Demo Products**

Clearance and demo products are covered for the remainder of the original warranty period or six (6) months from the date of sale to the original end user, whichever is greater. This excludes gel batteries.

## **Warranty Parts Shipping Policy**

All parts ordered for warranty replacement will be shipped standard ground service. Any requests for expedited delivery will be at the expense of the distributor.

Batteries used in Prolux Cleaners equipment are warranted by their original equipment manufacturers. All warranty claims on batteries will be referred to their original OEM by Prolux Cleaners for inspection. Under no circumstances will Prolux Cleaners or the seller be liable for any loss, damage, expense or consequential damage arising in connection with the use or inability to use these products.

If you have a defective gel battery within its respective warranty period, please follow the instructions below:

1. Contact the Prolux Cleaners warranty department with the machine information (Serial number, Date of Purchase etc.)
2. If the battery is deemed to be within the warranty period, Prolux Cleaners will arrange a date to inspect and replace (upon inspection approval) the battery with the OEM.
3. The OEM will pick-up and test/inspect the battery to determine the defect.
4. If the battery is deemed to be defective by manufacturers defect, the OEM will replace the battery with a new battery. If the defect was caused by the user (i.e. undercharging, left in a discharged state etc.), the battery manufacturer will deliver the defective battery back to you with a report explaining why the warranty coverage was denied.

Prolux Cleaners is not responsible for labor, freight, travel, or installation charges associated with battery diagnosis or replacement when the warranty coverage is denied by the OEM.

**All warranties implied above are subject to the Exceptions and Exclusions clause in this policy.**

**Gel Batteries:**

Our warranty does not cover batteries that have suffered damage due to over or under charging or batteries that have suffered sulphation due to being left in an uncharged state for any period of time. Warranty will not be allowed under any circumstances if there has been any tampering with the vent covers. Transit or storage damage is also not covered.

Warranty coverage does not apply to parts which fail due to the following conditions:

- Improper or low voltage
  - Improper extension cord selection
  - Dirty or inefficient water supply
  - Inappropriate chemical use
  - Improper or insufficient service or maintenance
  - Used with clogged or damaged filters.
  - Used without a filter.
  - Use of a machine in excess of design duration or any conditions damaging to the normal operation of the equipment.
  - Disassembly of any components, such as motors, may result in the refusal of warranty coverage.
1. Any parts replaced under warranty are only covered for the remainder of the original warranty period.
  2. Warranty service can only be performed by authorized distributors or approved warranty repair centers.
  3. Compensation for repairs is determined by the flat rate schedule enclosed in this document.
  4. Components that have become defective through wear or abuse are not covered by this warranty.



**Wear Items:**

Numerous items wear out under normal usage conditions. These items are not eligible for warranty coverage. These include vacuum hoses, hose cuffs, hose fittings, brushes, belts, filters, filter screens, grips, skirts, pad drivers or brushes, Clutches, Castors, Pulleys, Wheels, Tires, Light Bulbs, Gaskets, battery cables and connectors, carbon brushes, filters, fuses, drain hoses, power cords, squeegee blades, bearings, O-rings, armatures, floor tools, and vacuum bags.

This is only a partial listing of wearable items. Please contact the Prolux Cleaners warranty department for clarification of wearable items not listed in this document.

**Freight Damage:**

Freight damage is not covered under the Prolux Cleaners warranty policy.

**Replacement Parts:**

Prolux Cleaners will not honor any warranty claims for parts, labor, or travel if the replacement part was not purchased through Prolux Cleaners.

**Prolux cleaners reserves the right to review or modify the above document at any time without specific written or prior notice. This warranty policy precedes all other warranty policies previously published.**