

# X8 Pro

PROLUX



*For your safety, please read the Owner's Manual in its entirety.*

**Instruction Manual**



## Prolux X8 Backpack Vacuum

**For your safety please read the owner's manual in its entirety before use.**

Congratulations on purchasing your very own Prolux X8 Pro Backpack Vacuum Cleaner. This high-end kit is designed to cut cleaning time in half without breaking the bank. Keep your floors clean, and prolong the life of your flooring in just a few easy steps. Prolux... Cleaning Reinvented!

Welcome to the Prolux family and don't forget to register for your lifetime warranty at

[www.proluxcleaners.com](http://www.proluxcleaners.com).

## Table of Contents

<b>Quick Assembly</b>	4
<b>Specifications</b>	5
<b>Warranty</b>	6
<b>Safety Precautions</b>	7-9
<b>Description of Parts</b>	10-11
<b>Unpacking and Assembling</b>	
Assembly	12-14
<b>Operation</b>	
Using Accessories and Tools	15-17
Vacuum Cleaning	18
<b>Maintenance</b>	
Replacing the HEPA Dust Bag	19
Replacing the Cloth Bag and Filters	20
<b>Frequently Asked Questions</b>	21
<b>Troubleshooting</b>	22
<b>Warranty</b>	23-24

## Quick Assembly

To view some videos on unboxing, assembling and using your new vacuum you can find them at the link below, or scan the QR code to go to our YouTube page to see all of our videos:

<https://proluxcleaners.com/pages/prolux-x8-how-to-video-s>



## Specifications

- Lightweight – Canister only weighs 10lbs
- Powerful deep cleaning 10 amp motor with 120 CFM of Airflow (most vacuums have around 80)
- Dependable – LIFETIME motor warranty and 3-year body warranty (LIFETIME/3 year warranty pertains to registered machines only)
- 4 Stages of Filtration – HEPA Bags, Cloth Bag, HEPA Filter and Exhaust filter make sure the air leaving the vacuum is as clean as it should be
- 50' Commercial Grade Power Cord
- Durable Hose - 6 Foot crush proof hose with heavy duty ends
- 1 ½" Commercial Grade Attachment Set
- Comfortable and Adjustable Straps and Harness
- Optional Electric Powerhead Kit Available - If you have a lot of carpet or rugs to clean we recommend looking into the electric powerhead kit.
- Complete Home Care Tool Kit - Includes a tool for every vacuuming need

## WARRANTY

Here at Prolux we take pride in the quality of our products, so the majority of our time and money is spent on R&D rather than advertising. Because of this we feel very confident in the quality of our products and feel very comfortable being able to offer a **LIFETIME** motor warranty and a 3 year body warranty. We only require that you **MUST** register your machine within 90 days of purchase. If a machine is not registered then we will only offer a 1 year warranty, which will cover both the motor and body. When you register your machine not only will you receive the **LIFETIME/3 year warranty** you will also receive:

- **FREE** shipping on any warranty claims.
- **FREE** shipping on any order returned within the 61 day return period.
- Mailing list notifications - The #1 thing that kills vacuums is not keeping up on maintenance, so when you register your product we will provide reminders when it's time to replace your filters, buy bags, etc.
- Coupons and offers for discounts on supplies.

Registering is simple. Just go to the warranty section of our website below and fill out the form. Once registration is complete you'll then be covered.

<https://proluxcleaners.com/pages/warranty>



With over 20 years in business, superior products, an honest, hardworking team, unparalleled leadership and many years spent on Utah's fastest growing business list, you can rest assured that Prolux will be here to back up our warranty claims. We strive to provide responsive and pleasant customer service experiences and to develop exceptional products that you can count on! When we say lifetime...we mean lifetime. - PROLUX

# **IMPORTANT SAFETY INSTRUCTIONS**

## **Vacuum Safety**



**Read the owner's manual in its entirety before using this product.  
Failure to do so can result in serious injury or death. Prolux takes no  
responsibility for damages/injuries due to violations of the following operating  
instructions.**

**To reduce the risk of fire, electric shock, or injury:**

Keep the operating manual for reference. Include the operating manual if you pass the appliance to third parties.

When using an electrical appliance, basic precautions should always be followed, including the following:

### **Notices Given:**

Notices for your safety are specially marked. Always observe these notices to avoid any damage to the appliance.

**WARNING:** Warning concerning health hazards describing possible risks of injury.

**ATTENTION:** Warning concerning possible dangers to the appliance or other objects.

**NOTE:** Highlights tips for you.

**WARNING -** To reduce the risk of fire, electric shock, or injury:

1. Do not leave the vacuum cleaner plugged in. Unplug from outlet when not in use, or before servicing.
2. Use only as described in this manual. Use only the recommended attachments and replacement parts.
3. To reduce the risk of electric shock, do not use outdoors, on wet surfaces, and do not use it for wet pickup/cleanup.
4. Do not use the vacuum with a damaged cord or plug. If it is not working as it should, has been dropped, damaged, left outdoors, or dropped into water, take it to a service center before use.
5. Do not use cord as a lasso to round up loose children and pets.\*\*

*\*\*Yes, yes, we have intentionally placed a couple "interesting" warnings in hopes that you would read them all... But in all seriousness these warnings MUST be observed!!!*

## **SAFETY CONTINUED**

6. Do not pull or carry the vacuum by its power cord, do not use the power cord as a handle, do not close the door on the power cord, or pull the power cord around sharp edges or corners. Do not run the vacuum cleaner over the power cord. Keep the power cord away from heated surfaces.
7. Only use extension cords suited to the power requirements of the appliance.
8. Never immerse the appliance in water or other liquids.
9. Only operate the appliance if your outlet voltage is the same as indicated on the appliance's nameplate. Using the wrong voltage can destroy the appliance.
10. Do not unplug the power cord from your wall by pulling on the cord. To unplug, grasp the end of the plug, not the cord.
11. Do not handle the power cord/plug or vacuum cleaner with wet hands.
12. Do not put any object into the openings of the vacuum. Do not use the vacuum with any openings blocked. Keep openings free of dust, lint, hair and anything that may reduce airflow.
13. Keep hair, loose clothing, fingers, and all body parts away from openings and moving parts of the vacuum.
14. Turn all controls off before unplugging the vacuum.
15. Do NOT wield the telescopic wand as if it were a lightsaber\*\*
16. Use extra care when cleaning on stairs.
17. Do not use it to pick up flammable or combustible liquids, such as gasoline or in areas where they may be present.
18. Hold the end of the plug on the power cord when rewinding the cord into the cord reel. Do not allow the plug to whip when rewinding.
19. Unplug the vacuum before connecting the hose.
20. Do not pick up anything that is burning or smoking, such as cigarettes, matches, or hot ashes.
21. Do not use the unit without bags and/or filters in place.
22. If the power cord is damaged, the manufacturer or an authorized service center must replace it, in order to avoid a hazard.
23. This appliance is not intended for use by persons (including children) with reduced physical, sensory or mental capabilities, or lack of experience and knowledge, unless they have been given supervision or instructions concerning the use of the appliance by a person responsible for their safety.

*\*\*Yes, yes, we have intentionally placed a couple "interesting" warnings in hopes that you would read them all... But in all seriousness these warnings MUST be observed!!!*



### **Do not vacuum or clean:**

- Hair and other parts of the body. They could be sucked in and cause injury.
- Pieces of Clothing (e, g, shoe laces, scarves, etc.). They could be sucked in and cause injury.
- Water and other liquids, especially moisture from carpet cleaning agents. Moisture inside the appliance can lead to short-circuiting.
- Toner dust (from laser printers, copying-machines, etc.). There is danger of fire or explosion.
- Pointed objects such as glass shards, nails, etc. Such objects destroy the filters.
- Plaster, cement, and fine drilling-dust, makeup, etc. The filters may clog causing damage to the appliance.
- Never use the appliance near flammable or explosive materials -- there is danger of fire or explosion.
- Never use the appliance outdoors -- there is danger of rain and dirt destroying the appliance.

### **Children**

Never leave the appliance unattended, and always take special precaution if children or persons who cannot judge dangers are nearby.

Proper storage, supervision and keeping children at a safe distance during operation will help avoid the following dangers:

- Strangulation by cord.
- Tripping accidents.
- Getting hair, appendages or clothing stuck in vacuum ports.
- Other unforeseen boo boos of various severity.\*\* Though silly, this one is true!

Persons (including children) who are unable to safely operate the appliance on account of physical, sensory, or mental abilities, or lack of experience or knowledge should only use this appliance under supervision or instruction of a responsible person. Packing materials are not toys. There is danger of suffocation, KEEP OUT OF REACH OF CHILDREN.

*\*\*Yes, yes, we have intentionally placed a couple "interesting" warnings in hopes that you would read them all... But in all seriousness these warnings MUST be observed!!!*

## Description of Parts



- 
- |                    |                        |
|--------------------|------------------------|
| 1. Main Unit       | 6. HEPA Bags           |
| 2. Hose            | 7. Squeegee Floor Tool |
| 3. Extendable Wand | 8. Mini Turbo Head     |
| 4. Floor Tool      | 9. Duster Brush        |
| 5. Tool Adapter    | 10. Upholstery Tool    |
|                    | 11. Crevice Tool       |



- 1. Breathable Cushioned Straps
- 2a-b. Lid Latches
- 3. Suction Port
- 4. Main Unit
- 5. Exhaust Filter Cover
- 6. Exhaust Cover Release
- 7. Reinforced Bottom
- 8. 50' Power Cord

- 9. Canister Lid
- 10. Chest Support Adjustment
- 11. Chest Clip Adjustment
- 12. Shoulder Strap Adjustment
- 13. Waist Support Clip
- 14. Waist Support Adjustment
- 15. On Waist Tool Storage
- 16. ON/OFF Switch

## ASSEMBLING YOUR VACUUM

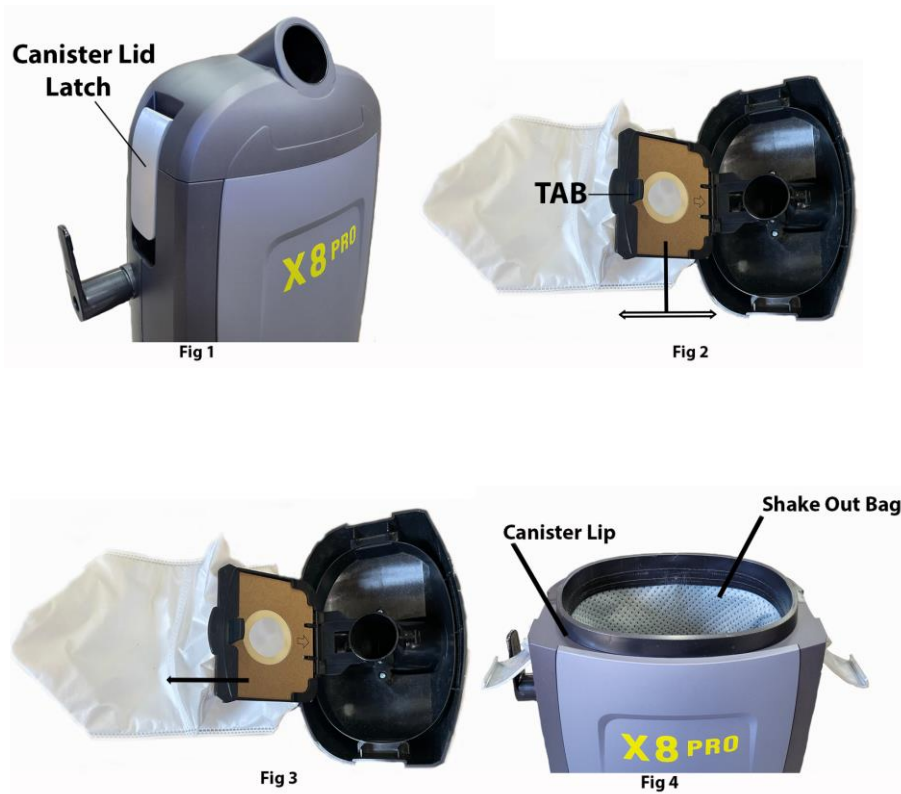
Once all items have been removed from the shipping box first INSERT THE HEPA DUST BAG BEFORE USING

**Important:** For best results do not use the vacuum without all filters, cloth dust bag, and the HEPA dust bag in place.

**NOTE:** Always remove the power plug from the wall outlet before assembling or removing accessories

**NOTE:** This model can be used with the cloth dust bag only, however it is not recommended and MUST BE cleaned after every use if no HEPA bag is installed to assure proper air flow.

1. Turn off the power with the switch and remove the flexible hose if attached.
2. To open the canister lid press on the canister lid tabs on each side of the unit and lift the canister lid. (Fig.1)
3. Pull the tab on the HEPA dust bag holder out slightly and flip upwards. (Fig 2)
4. While holding the HEPA dust bag in your hand, slide it firmly between the slots in the bag holder. (Fig 2)
5. The cardboard face of the new bag should rest securely in the dust bag cover guide. (Fig 3)
6. Ensure that the cloth bag is in place. (Fig. 4)
7. Flip the patented HEPA bag holder over, pressing the tab on the bag holder until it clicks then replace the canister lid.



## **ATTACHING THE FLEXIBLE HOSE & TELESCOPIC WAND TO THE VACUUM**

**NOTE:** The flexible hose should be connected before strapping the unit on.

1. To connect the flexible hose to the unit, slide the hose connector into the air inlet (Fig 1).
2. To connect the flexible hose to the telescopic wand, slide the attachment end of the hose connection over the upper end of the telescopic wand (Fig 2).
3. To adjust the wand, locate the black clamp and pull up on the release lever to release tension from the clamp. Once tension has been released, you can adjust the wand to desired length. If the wand still does not move, locate and loosen the small set screw on the opposite side of the lever. (Fig 3)
4. Plug the power cord into the electric outlet.
5. To remove the flexible hose, unplug the power cord and pull the hose connector from the air inlet.
6. Pull the handle out from the telescopic wand (Fig 3).



**Fig 1**



Fig 2

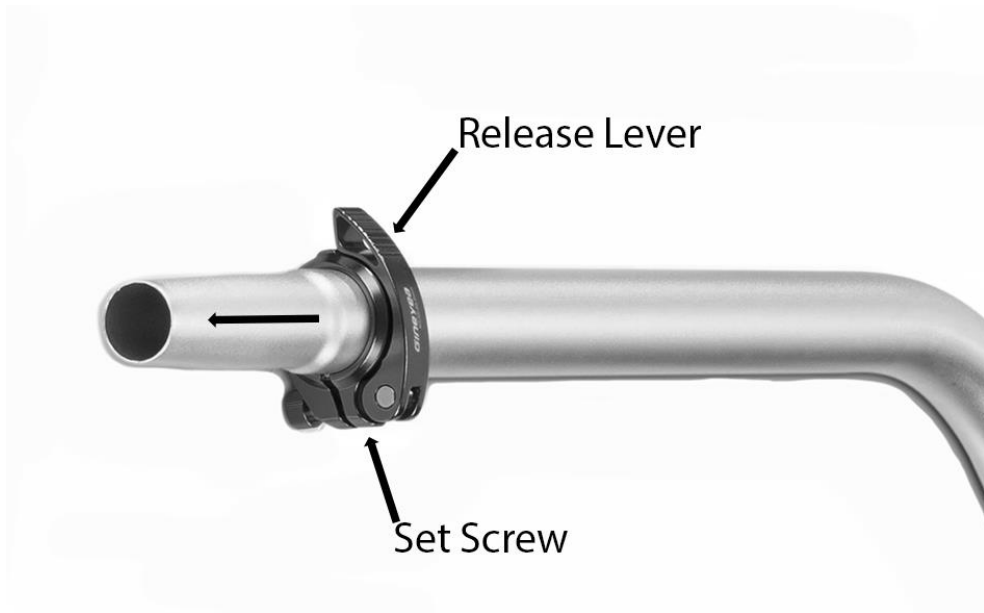


Fig 3

## USING THE ATTACHMENTS

- **DUSTING BRUSH**

The Dusting Brush is used for all types of furniture (especially delicate surfaces) to remove dust or other debris (Fig 1)

- **CREVICE TOOL**

Use for cleaning radiators, cracks & crevices along corners, baseboards, and in-between cushions. (Fig 2)

- **UPHOLSTERY BRUSH**

Use for cleaning upholstery, stairs or any other surface the floor tool is too large for. The bristles can be removed to really get the suction directly to the surface you're cleaning. (Fig 3)

**Note:** This tool is not a grooming tool and should not be used on animals.

**Note: Do Not** use The Upholstery tool on delicate or woven Fabrics that may snag.

**Note: Do Not** use The Upholstery tool on wooden floors as this accessory might cause mild scratching

- **CARPET/FLOOR BRUSH**

The Prolux X8 PRO includes a specially designed floor tool that can be used on any surface without switching attachments. Easily transition between high pile carpets, low pile carpets, and hard floor surfaces. (Fig 4)

- **HARDFLOOR BRUSH**

The squeegee tool has soft bristles and quality rubber squeegee to protect your floors. If you have hardwood, tile or pergo this is a must have for your vacuum. (Fig 5)

- **MINI TURBO BRUSH**

Perfect tool for upholstery, stairs, vehicles, and any other hard to reach places. (Fig 6)



**Fig 4**



**Fig 5**



**Fig 1**



**Fig 2**



**Fig 3**



**Fig 6**

## **CONNECTING THE ATTACHMENTS TO YOUR WAND**

**NOTE:** When using the Duster, Crevice, and Upholstery Tool, make sure to use the adapter provided with your Backpack Vacuum Cleaner.

Connecting the tools to your telescopic wand is quick and easy. The tools use a Friction Fit Connection which means you push the tool on to the wand (or adapter if applicable) and twist in either direction. (Fig 7)

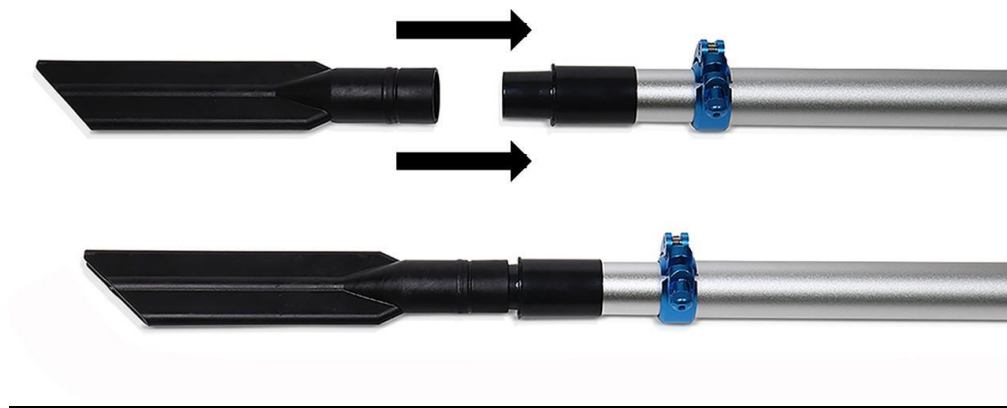


Fig 7

## **Tool Storage**

The majority of the tools can be stored on the waistband of the harness. The attaching end of the tools can be slid into the stretch holder of the waistband and will be stored there for easy access. (Fig 1)



Fig 1



## PROPER VACUUMING TECHNIQUE WITH THE PROLUX X8 FLOOR TOOL

When vacuuming with your Prolux X8, you may vacuum using the standard forward and backwards vacuuming motion as you would with standard vacuum cleaners. However, because of the new Prolux X8 floor tool design, you can vacuum an area by vacuuming in half circle motions and vacuum the same area twice as fast.

- Start by holding the wand as seen in (Fig A).
- Now twist at the waist in a side-to-side motion creating large “half circles” with the floor tool as you walk forward or backward. Vacuuming this way exerts less energy, which creates less fatigue on the arms and upper body, and is two times faster than vacuuming using the traditional forward and backward motions.

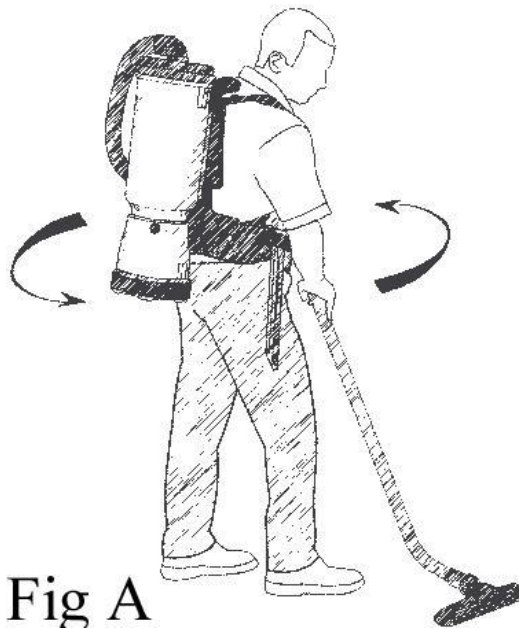


Fig A

## VACUUM CLEANING

1. Ensure all bags and filters have been installed prior to using the vacuum.
2. Connect hose to top lid assuring you have pressed the friction fit hose firmly into place.
3. Correctly place shoulder straps on each shoulder and secure the waistband with hook and loop strips.

**Caution:** If the waistband and both shoulder straps are not properly and securely in place the unit could fall off your back causing damage or injury.

4. Select desired attachments and connect them to the hose or wand.
5. Power the unit on by pressing the switch located near the base of the right-hand side of the unit.

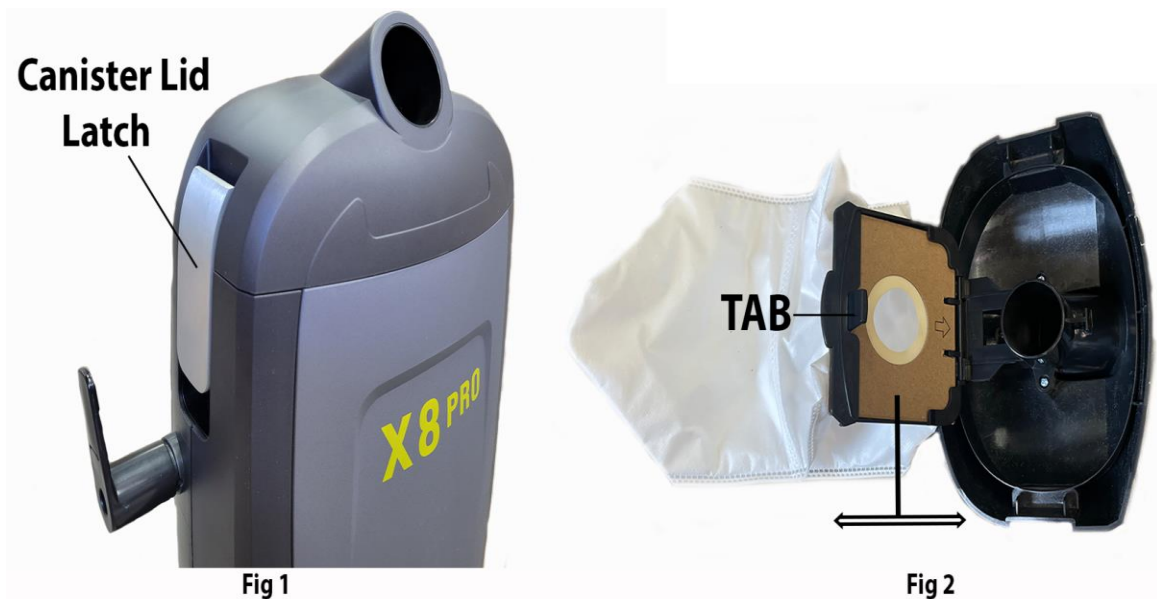


## Removing & Replacing HEPA Dust Bag

**Important:** For best performance **DO NOT** use the vacuum without all filters, cloth dust bag, or without the **HEPA** dust bag in place.

1. To remove the HEPA dust bag, press on the canister lid latches on each side of the unit to unlock (Fig 1) and lift the canister lid. The dust bag will come out when the lid is removed.
2. Pull the tab on the HEPA dust bag holder out slightly and lift upwards. (Fig. 2)
3. Holding the HEPA dust bag top in your hand, slide it out from the slots in the bag holder.
4. Replace the HEPA dust bag with a new bag by inserting the cardboard bag top into the bag holder and slide it in. Do not reuse the same vacuum bag.
5. The cardboard face of the new bag should rest securely in the dust bag cover guides. Flip the bag holder over and press the tab until it clicks, locking the bag into place.
6. Cleaning the cloth shake out bag is recommended at this time. Once cleaned, place the cleaned cloth dust bag into the vacuum.
7. Insert the HEPA bag back into the vacuum and replace the canister lid locking it into place by latching the lid clips back down.

**NOTE:** **Never** overfill the HEPA Dust bag – replace when bag is full and clean the cloth dust bag and filter each time the HEPA dust bag is replaced.



**Note:** Clean the cloth dust bag outdoors when changing the HEPA dust bag. Optimum filtration is achieved by using the HEPA dust bag in conjunction with the cloth dust bag.

- **Cleaning the Cloth Dust Bag Used with the HEPA Bag:**

1. Remove the cloth dust bag by grabbing the top lip of the bag and lifting upward and out of the vacuum. Shake out vigorously outdoors over a garbage receptacle until there is no more dust. Blowing the bag out using compressed air also works well.
2. Inspect the cloth dust bag regularly for tears or damage. Replace the cloth dust bags if damage or tears are present.

- **Cleaning the Cloth Dust Bag when Used Alone (not suggested):**

1. Remove the cloth dust bag, empty into trash can, and shake vigorously outdoors until there is no more dust.
2. The cloth dust bag is hand washable in lukewarm water.
3. Allow to air dry for 24 hours. The cloth dust bag should be replaced when needed.

**Never place the bag into the vacuum if it is still wet.**

**Note:** If used often without HEPA dust bag, replacement and washing will be required more often.

4. Replace with the clean cloth dust bag and close the canister lid.

- **Cleaning the HEPA Pre-Motor Filter**

**Important, Please Note:** The HEPA pre-motor filter will stop most of the tiniest dust particles and airborne allergens from re-entering the air you breathe. In fact it stops 99.97% of all particles as small as 0.3 microns- many times smaller than a human hair! Because of this incredible filtration performance, the HEPA pre-motor filter will accumulate many fine dust particles that are difficult to see. Be assured that the HEPA pre-motor filter is doing the job. Clean the HEPA pre-motor filter often as described in this section.

1. Remove the lid and cloth dust bag from the canister. The HEPA pre-motor filter is located underneath the cloth dust bag in the bottom of the bag chamber. To remove the HEPA pre-motor filter lift from the sides of the HEPA filter and lift upward.
2. Vigorously “TapClean” the HEPA pre-motor filter on a hard surface to remove any residual dust that might still be on the HEPA pre-motor filter.
3. You can wash the HEPA pre-motor filter by running it under the tap and allowing the water to run on the dirty side when it appears dirty or suction is reduced. Blowing the filter out with compressed air also works very well.

**Never use your vacuum with a wet filter in place. Let the filter dry completely before placing it back into the vacuum.**

- **Cleaning the Exhaust Filter**

1. Remove the exhaust filter cover to access the filter and pull the filter out
2. To clean the filter tap the filter over a dust bin or spray the filter with compressed air
3. Inspect the filter for any damage and reinstall the filter
4. Install the filter cover and lock it into place

## **Frequently Asked Questions**

### **1. Why is my vacuum not picking up?**

- Vacuum bag is full. Open top of the unit and check bag capacity.
- Clog in the hose or wand. Remove the hose from the vacuum. Separate the hose from the wand. Check for clog. If clog is found using compressed air at a low pressure is the ideal means of removal.
- Clogged filter not allowing proper airflow. Remove and clean your filters by lightly tapping on the edge of a garbage can.(preferably outdoors) You may also use compressed air at a low pressure.

### **2. Why is my vacuum not turning on?**

- Check if it is plugged in, check if the button on your surge protector is set to on... We know, We know, but you would be surprised how many customer service inquiries are solved with that sentence. Happens to the best of us.

### **3. Why is my vacuum getting hot?**

- Vacuum bag is full. Open top of the unit and check bag capacity.
- Clog in the hose or wand. Remove the hose from the vacuum. Separate the hose from the wand. Check for clog. If clog is found using compressed air at a low pressure is the ideal means of removal.
- Clogged filter not allowing proper airflow. Remove and clean your filters by lightly tapping on the edge of a garbage can.(preferably outdoors) You may also use compressed air at a low pressure.

### **4. Can I use an electric powerhead with this model?**

- Yes. It can be purchased separately at: <https://proluxcleaners.com/products/prolux-x8-backpack-electric-powerhead-kit>

### **5. How often should I replace the vacuum's filters?**

- 3-12 months depending on use and the state of your home. Most people will need replacement filters around 6 months but if you live in an exceptionally dusty environment or have multiple shedding furry friends you will want to change them more frequently.

### **6. Where do I purchase replacement bags, filters and parts?**

- [proluxcleaners.com](http://proluxcleaners.com)

### **7. I need help with something regarding this vacuum, who do I contact?**

- [service@proluxcleaners.com](mailto:service@proluxcleaners.com)

### **8. Can one suck a ghost into this vacuum?**

- We cannot be certain... but we do know ectoplasm is no good for filters, Bust responsibly.

## Troubleshooting

**WARNING:** Never use a defective appliance. Always switch off the appliance and disconnect it from the outlet or remove the battery before you start to troubleshoot.

<b>Fault</b>	<b>Possible Cause(s)</b>	<b>Solution</b>
The vacuum will not turn on.	The plug is not connected to the electrical wall outlet or the appliance is not switched to the “on” position.	Insert the plug into an electrical wall outlet and flip the “on/off” switch to the “on” position. See section “Vacuum Cleaning.”
	Electrical wall socket does not carry current.	Test the vacuum cleaner on another outlet that you are sure is carrying current.
	The power cord is damaged.	Replace with a new cord by an authorized service center or professional technician.
Suction power is low.	The bag or filter is full or clogged.	Change or clean the bag/filter
	The power nozzle, attachment wand, or suction hose is clogged.	Remove the debris that is causing the clog. If necessary, use a long wooden stick (e.g. a broomstick) or coat hanger to do this.
	The bag or filter is installed incorrectly.	Remove the bag and filter and reinstall; making sure these are correctly put into place when reinstalling.
	The tool attachment being used does not work properly on the surface you are vacuuming.	Attach the appropriate tool for the surface you are vacuuming. See page 14.
	Dirty filter(s).	Change/clean the filter(s). See page 19.
The vacuum makes unusual noises, or is louder than usual.	The power nozzle, attachment wand, suction hose, or filters are clogged.	Remove any clogs. If necessary, use a long wooden stick (e.g. a broomstick) or coat hanger to do this.



**WARRANTY**

Register for your Warranty

## **Why do I have to register my warranty within 90 days to get my Lifetime Warranty?**

**Great question! Do you know what normally kills a vacuum cleaner?**

1. Vacuum Bag being overfilled which causes the motor to overheat.
2. Improper cleaning and not replacing filters, which overheats the motor.
3. Improper brush roll maintenance; such as not regularly clearing hair and carpet fibers that wrap around it, overheating the motor.

LOL, do you see a trend? In other words, proper maintenance will add years to your vacuum's life. When you register your warranty, we will email you maintenance tips, remind you when it is time to maintain your vacuum, provide product info updates, and coupons for more carpet shampoo or fragrances for your water. We do not ever require you to purchase anything OR to prove that you are maintaining your vacuum to be covered by the lifetime warranty. All we care about is that you are getting our reminders. Normally we send out maintenance email reminders once every 6 months.

**To register for your Lifetime Warranty, go to**

**<https://proluxcleaners.com/pages/warranty>**

**or scan below with your phone**



## **LIFETIME LIMITED WARRANTY**

When registered, Prolux warranties this product's motor free from defects in material and workmanship for the lifetime of the motor, and three (3) years on the body of the cleaner, free from manufacturer defects in material and workmanship from the original date of purchase, when utilized for normal use.

### **What is Not Covered by the Prolux Warranty - Warranty Exclusions:**

This limited warranty does not extend to and expressly excludes:

1. Normal wear and tear and/or replacement attachments or accessories, including, without limitation, hose, wand, powerhead and other attachments to the cleaner.
2. Damage or burnout of the cleaners body or motor resulting from failure to clear a blockage occurring during the normal course of use.
3. Loss or damage to the cleaner body resulting from conditions beyond the control of Prolux including without limitation, misuse, accidents, abuse, neglect, negligence from the customer, overuse beyond capacity of the cleaner, or unauthorized modification and/or alteration.
4. Loss or damage to the cleaner resulting from failure to follow the required maintenance schedule, or failure to use the cleaner in accordance with written instructions from Prolux, guidelines or the terms of its Owner's Manual.

If your appliance fails to operate properly while in use under normal household conditions within the warranty period, please contact the authorized PROLUX dealer you purchased the unit from. Non-durable parts including, without limitation, pads, cords, switches, which normally require replacement, are specifically excluded from the warranty. This warranty is limited solely to the cost of the repair or replacement of the unit at the option of Prolux. This warranty does not cover normal wear of parts and does not apply to any unit that has been tampered (by an unauthorized user) with or used for commercial purposes unless the unit is a commercial model. This limited warranty does not cover damage caused by shipping damage, misuse, abuse, negligent handling, or damage due to faulty packaging or mishandling in transit.

This warranty is extended to the original purchaser of the unit only and is not transferable.

**\*IMPORTANT:** Before sending the unit back for warranty work, contact your authorized PROLUX retailer you bought the unit from first. Unauthorized warranty claims may be sent back.

**Authorized Warranty claims: PROLUX shall be responsible for all parts, labor and shipping if the item is registered. If the item is NOT registered Prolux shall be responsible for the parts and labor of the repair and the customer shall be responsible for ALL shipping charges to AND from the Prolux service center. Prolux is constantly striving to improve our products. Therefore, the specifications contained herein are subject to change without notice.**