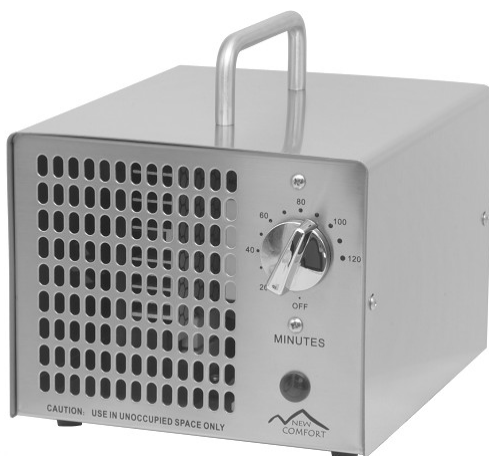


New Comfort SS-500 Commercial Ozone Generator Air Purifier



OWNER'S MANUAL

Please read all of the information provided in this owner's manual before operating his unit.



Congratulations on your purchase of your New Comfort SS-500 Commercial Ozone Generator and odor eliminator! The SS-500 is made from durable Stainless Steel construction and designed to last for many years. With a powerful 5000 mg/hour of output it is designed to remove even the worst of odors. Features Include:

- Stainless Steel construction makes it designed to last many years and resists any corrosion.
- Powerful 5000 mg/hour of Ozone output eliminates the most powerful odors.
- 2 Hour Timer allows for treating a room and simply walking away. After 2 hours the unit turns off automatically and the area is treated.
- Ozone Plates are rated for an amazing 6000 hours before needing replaced.
- 5 Year Factory Warranty

Examples of Odors it can help control can be: Smoke Damage, Pet Odors, Pesticides, Cleaning Fume Odors, Cigarette Smoke, Mold & Mildew, Virus's, Paint Odors, Cooking Odors, Water Damage, Decaying material and much more.

WARNING

This air unit is not a medical device. Do not stop or alter any medical therapy programs or medications without the advice of your physician. Excessive ozone concentrations may cause mucous membrane or respiratory irritation.

	CAUTION	
	RISK OF ELECTRICAL SHOCK DO NOT OPEN	
	ATTENTION	

CAUTION: TO REDUCE THE RISK OF ELECTRICAL SHOCK, DO NOT REMOVE COVER. NO USER SERVICEABLE PARTS INSIDE. REFER SERVICING TO QUALIFIED SERVICE PERSONNEL.

NEVER PLUG UNIT INTO POWER STRIP. UNIT SHOULD ONLY BE PLUGGED INTO WALL OUTLET

This “lightning bolt” indicates un-insulated material within your unit may cause an electrical shock. For the safety of everyone, do not remove product covering unless given permission to do so.

Only operate in unoccupied room as high concentrations of Ozone may cause lung irritation.

WARNING – Failure to properly clean (every 6 months) inspect, maintain, and/or replace defective ozone plates may result in a fire hazard.

Read ALL instructions carefully before using this product.

FOR YOUR RECORDS

Please record the model and serial number below, for easy reference, in case of loss or theft. These numbers are located on the back panel of your air purification unit. Space is also provided for other relevant information.

Model Number _____

Serial Number _____

Date of Purchase _____

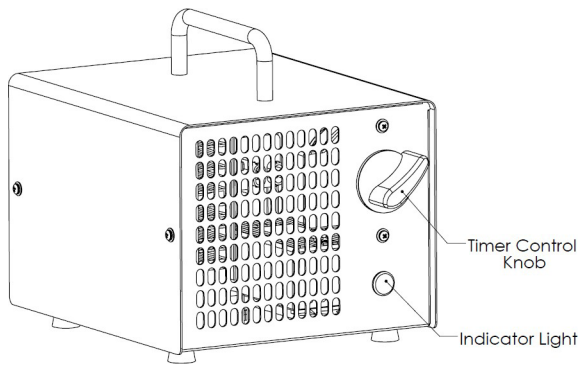
Purchased From _____

SPECIFICATIONS

Model:	SS-500
Rated Voltage:	USA/Canada AC 110-120V/60Hz
Power Consumption:	85W
Ceramic Plate Size(1plate):	90X70MM
Air Volume:	Max 100CFM(2.8M ³ /min)
Active Oxygen(on) O ₃ :	5000 MG/Hour
Sound Level(DB):	40Db
Product size(mm):	W165xH183xD227MM
Weight:	2.4Kgs(5.3Lbs)

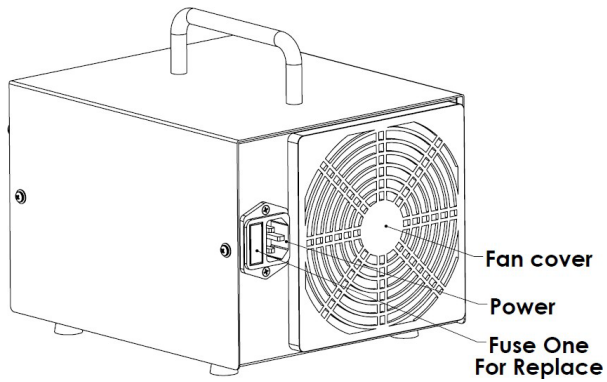
Operating the Ozone Generator Air Purifier

(Front View)



PART	FUNCTION
Timer Control Knob	- Turn clockwise to set the timer for timed operation up to TWO hours.
Indicator Light	- Illuminates when unit is in operation.

(Back View)



PART	FUNCTION
------	----------

Fuse Holder	Houses removable fuse. (Spare fuse included, 2 amp, 0.79 inch in length)
--------------------	---

Power Cord	110~120 Volt grounded cord (unless otherwise).
-------------------	--








OPERATION

The air purifier is designed to remove odors in unoccupied spaces.

The unit has a timer that will enable it to run for a maximum duration of 2 hours. The timer will then shut the commercial air purifier off.

You should allow 40 minutes before returning to the treated area.

To operate the Air Purifier:

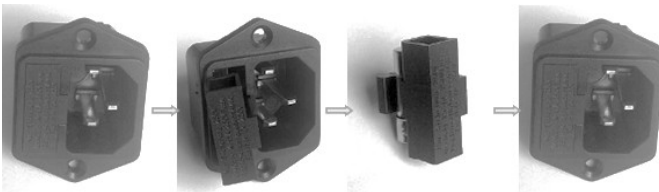
-  Close off the desired area to be treated.
-  Remove all occupants and pets.
-  Position the unit as close as possible to the odor source.
-  In such environments as motels that have individual heating and cooling systems, turn the fan on and set on re-circulate.
-  Set timer to desired time and leave the room.
-  Allow 40 minutes before re-entering the treated space.
-  Return to space & ventilation area.

TROUBLESHOOTING

If you suspect a problem with your unit check the following:

- 1) Make sure the unit is plugged in properly. This includes making sure the cord is firmly shoved in all the way where it connects to the unit.
- 2) It's important that the Commercial Air purifier be properly grounded to avoid potential shock.
- 3) Fuse is installed properly and in good condition. To replace fuse, pull out the plastic fuse holder, Remove old fuse and insert new fuse. Replacement fuse must be 2 amp (0.79 inch).

Refer to picture as follows:

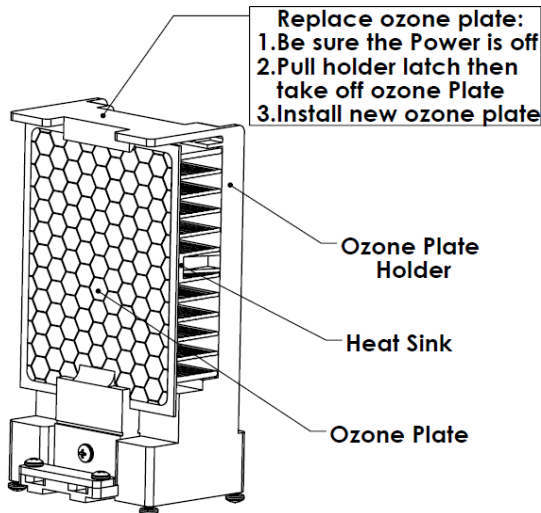


MAINTENANCE

When the air purifier no longer produces enough ozone to be effective, the ozone plates should be replaced. (Usually they should be replaced after 6000 hours of use)

WARNING – Failure to properly clean (every 6 months) inspect, maintain, and/or replace defective ozone plates may result in a fire hazard.

How to replace the ozone plate:



- 1) Turn the unit off and unplug from outlet.
- 2) Use a screw driver to unfasten cover screw and remove cover.
- 3) Pull ceramic plate out of ozone generator module.
- 4) Install ceramic plate as shown in above figure (be careful not to drop the plate).

SERVICE AND WARRANTY

The commercial air purifier comes with a 5 Year Limited Warranty for Residential use and a 1 Year Limited Warranty for Commercial Use. For warranty or service on this unit please contact the retailer you bought the unit from.

